



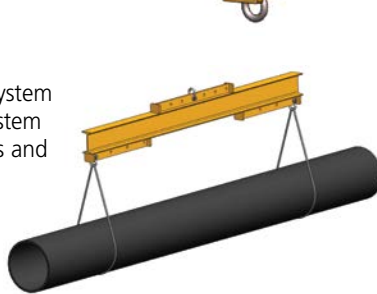
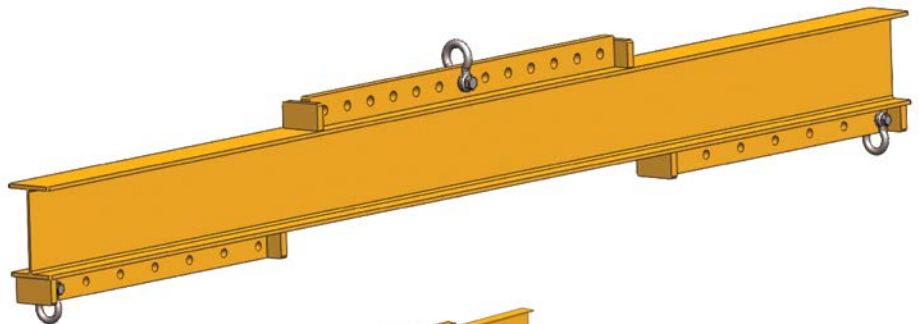
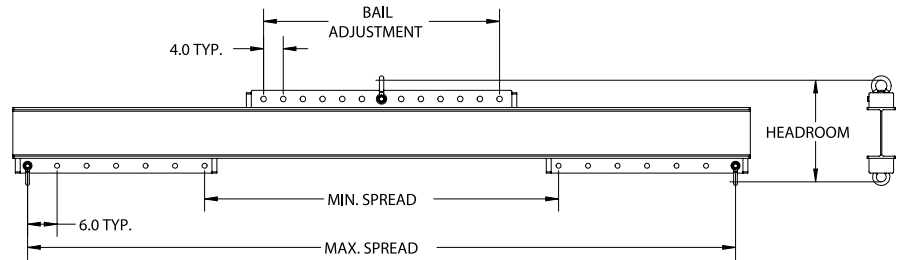
HUNVB UNIVERSAL LIFTING/SPREADER BEAM

FEATURES

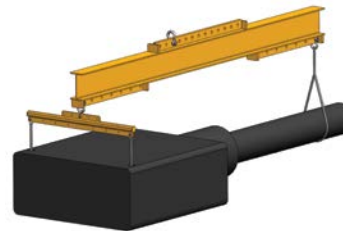
- This style of universal beam can be utilized as a lifting beam where headroom is limited or a spreader beam where extra stability is required.
- As a lifting beam, the upper lift point can be easily adjusted to lift an off center load.
- Can be configured as an optional three or four point lifting system
- Can be supplied with optional chain top rigging.
- Supplied with one upper shackle for adjustable bail positions and two lower shackles for adjustable spreads.
- Engineered and manufactured to ASME B30.20 & BTH-1 Design Category B Service Class 2.
- 100% of ALL lifting beams are Proof-Tested to 125% capacity and certificates supplied at No Additional Charge.
- Made in USA.

OPTIONS

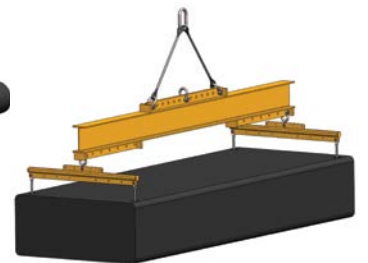
- Chain top rigging
- Three point lifting system
- Four point lifting system
- Additional lift points and spreads
- Higher capacities
- Additional lengths
- Swivel hooks



Two Point Lifting Beam



Three Point Lifting System



Four Point Lifting System

Model #	Capacity (Tons)	Max. Spread (Ft.)	Min. Spread (Ft.)	Dimensions (Inches)				Weight (Lbs.)
				Bail Adjustment	Headroom	Top Shackle (Tons)	Bottom Shackle (Tons)	
HUNVB-1/4-4	1/4	4	1	16	8	1.5	1.5	45
HUNVB-1/2-4	1/2	4	1	16	8	1.5	1.5	45
HUNVB-1/2-6	1/2	6	3	24	11	1.5	1.5	100
HUNVB-1/2-8	1/2	8	4	32	11	1.5	1.5	135
HUNVB-1/2-10	1/2	10	5	40	11	1.5	1.5	145
HUNVB-1-6	1	6	3	24	11	1.5	1.5	100
HUNVB-1-8	1	8	4	32	12	1.5	1.5	140
HUNVB-1-10	1	10	5	40	12	1.5	1.5	175
HUNVB-2-6	2	6	3	24	14	3.25	2	130
HUNVB-2-8	2	8	4	32	15	3.25	2	200
HUNVB-2-10	2	10	5	40	16	3.25	2	280
HUNVB-4-8	4	8	4	32	18	4.75	4.75	290
HUNVB-4-10	4	10	5	40	20	4.75	4.75	420
HUNVB-4-12	4	12	6	48	20	4.75	4.75	500
HUNVB-5-8	5	8	4	32	20	6.5	4.75	320
HUNVB-5-10	5	10	5	40	21	6.5	4.75	465
HUNVB-5-12	5	12	6	48	21	6.5	4.75	550
HUNVB-7-12	7	12	6	48	25	6.5	6.5	790



WARNING

DO NOT EXCEED CAPACITY!
See the SAFETY GUIDELINES section before using these products. Pages 92-95.