

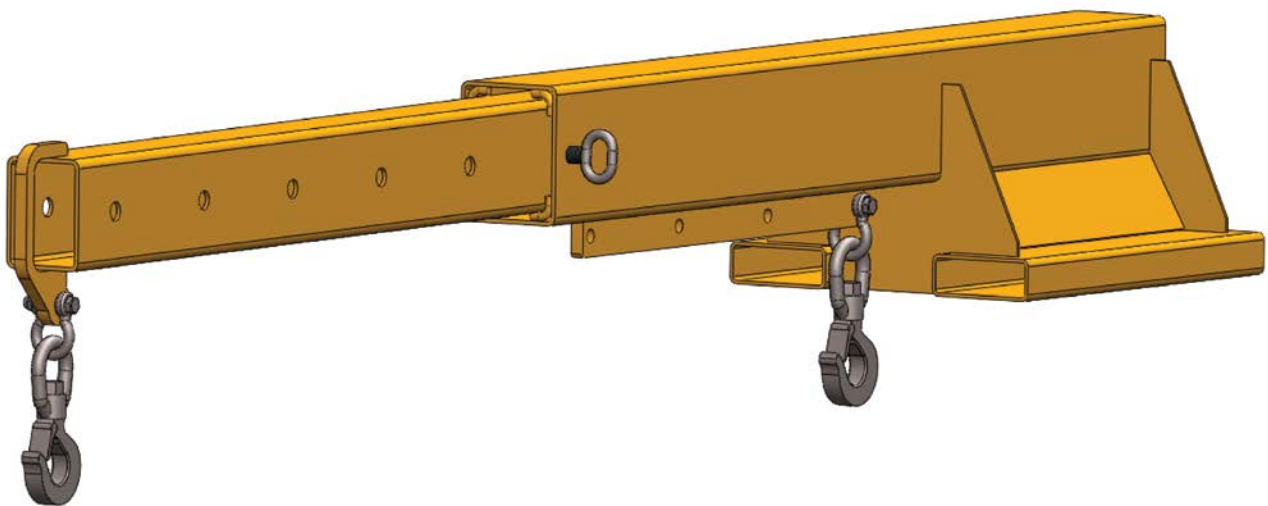
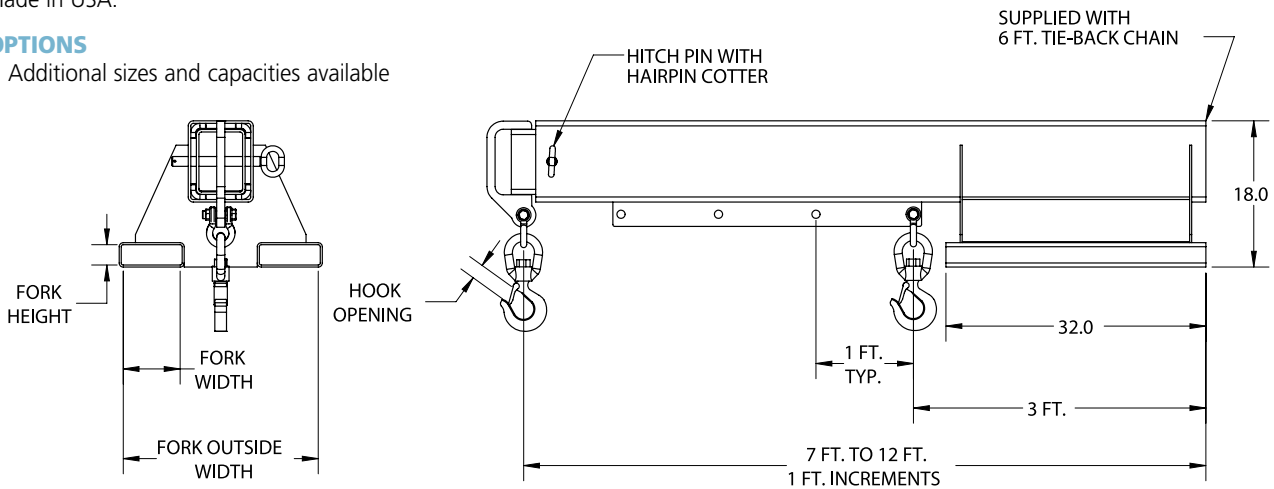
HTB TELESCOPING FORK TRUCK BOOM

FEATURES

- This style of fork truck attachment is designed to efficiently lift and carry loads with a telescoping boom with locking pin allowing for multiple hook positions.
- Supplied with standard restraining chain with grab hook and attached handle for ease of boom extension.
- 12' maximum boom reach, and supplied with standard swivel or fixed hooks.
- Engineered and manufactured in accordance to ASME B30.20 & BTH-1 Design Category B Service Class 2.
- 100% of ALL telescoping fork truck booms are Proof-Tested to 125% capacity and certificates supplied at No Additional Charge.
- Made in USA.

OPTIONS

- Additional sizes and capacities available



FORK TRUCK ACC.

Model # Fixed	Dimensions (Inches)					Max Capacity at Hook Position (Lbs.)							Weight (Lbs.)
	Fork Opening Height	Fork Opening Width	Fork Outside Width	Headroom	Hook Opening	3' to 6'	7'	8'	9'	10'	11'	12'	
HTB-30	2.5	7	22	18	1	3000	3000	2600	2200	1900	1600	1500	490
HTB-40	2.5	7	22	18	1.09	4000	3200	2600	2200	1900	1600	1500	490
HTB-60	2.5	7	22	18	1.36	6000	5000	4200	3500	3000	2700	2500	565
HTB-80	2.5	7	22	18	1.61	8000	7000	5700	4800	4100	3600	3100	750