

HSSLB

SHORT SPAN LIFTING BEAM

PLATE STYLE

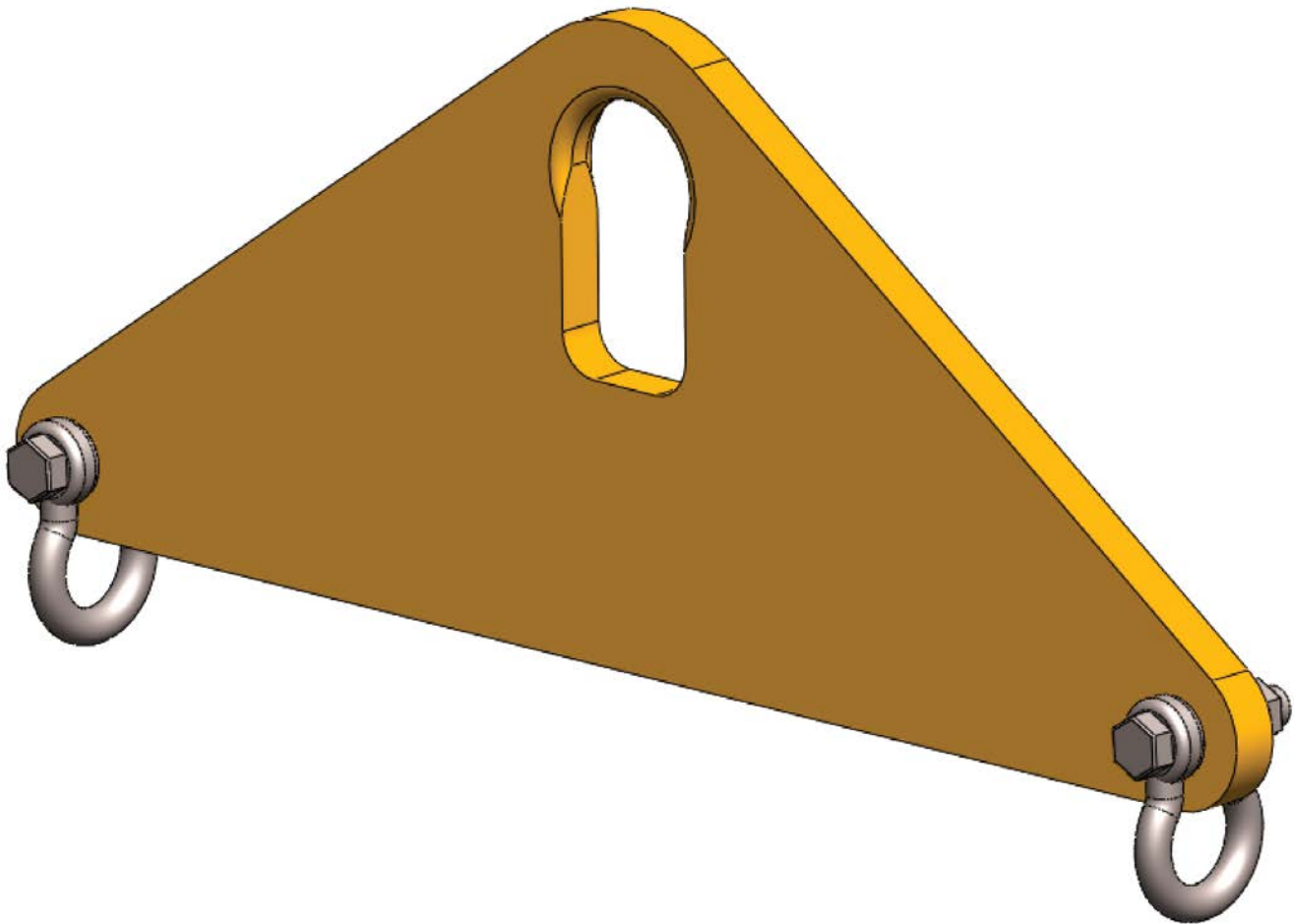


FEATURES

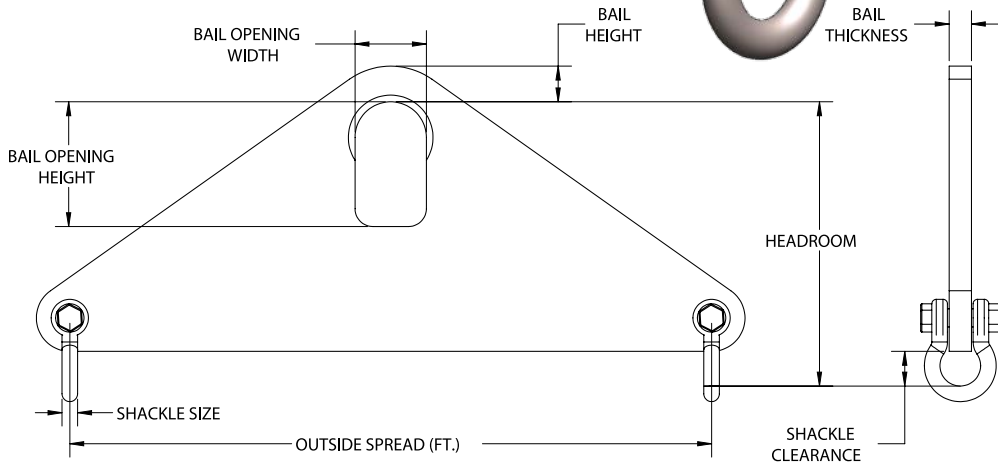
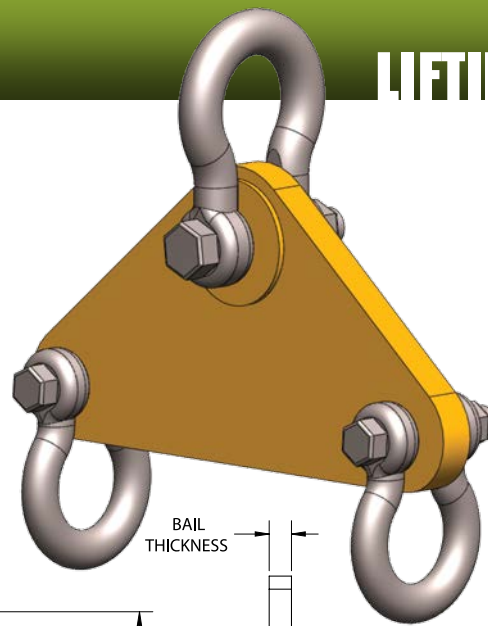
- This style of lifting beam is ideal for short span applications and can be utilized where headroom is limited.
- Supplied with a pair of shackles and one standard spread.
- Engineered and manufactured to ASME B30.20 & BTH-1 Design Category B Service Class 2.
- 100% of ALL lifting beams are Proof-Tested to 125% capacity and certificates supplied at No Additional Charge.
- Made in USA.

OPTIONS

- Additional lift points
- Higher capacities (supplied w/upper shackle)
- Additional lengths
- Upper shackle
- Upper shackle w/oblong link
- Hooks



Optional Design With Upper Shackle



Model #	Capacity (Tons)	Outside Spread (Ft.)	Dimensions (Inches)							Weight (Lbs.)
			Headroom	Bail Height	Bail Opening Width	Bail Opening Height	Bail Thickness	Shackle Size	Shackle Clearance	
HSSLB-.25-1	1/4	1	6.9	0.63	2	4	0.50	3/8	0.9	10
HSSLB-.25-2	1/4	2	6.9	0.63	2	4	0.50	3/8	0.9	15
HSSLB-.25-3	1/4	3	6.9	0.63	2	4	0.50	3/8	0.9	25
HSSLB-1-1	1	1	9.6	0.88	3	5	0.75	5/8	1.6	20
HSSLB-1-2	1	2	9.6	0.88	3	5	0.75	5/8	1.6	40
HSSLB-1-3	1	3	9.6	0.88	3	5	0.75	5/8	1.6	50
HSSLB-3-1	3	1	10.8	1.25	3	5	1	3/4	1.8	40
HSSLB-3-2	3	2	10.8	1.25	3	5	1	3/4	1.8	60
HSSLB-3-3	3	3	10.8	1.25	3	5	1	3/4	1.8	80
HSSLB-10-2	10	2	16.1	2.00	4	7	1.25	7/8	2.1	110
HSSLB-10-3	10	3	16.1	2.00	4	7	1.25	7/8	2.1	140
HSSLB-20-2	20	2	20.1	2.50	5	9	1.50	1-1/4	3.1	160
HSSLB-20-3	20	3	20.1	2.50	5	9	1.50	1-1/4	3.1	220
HSSLB-40-2	40	2	29.5	3.50	7	16	2.50	1-3/4	4.5	420
HSSLB-40-3	40	3	29.5	3.50	7	16	2.50	1-3/4	4.5	550
HSSLB-50-2	50	2	31	3.63	7	16	2.50	1 3/4	4.5	440
HSSLB-50-3	50	3	31	3.63	7	16	2.50	1 3/4	4.5	565
HSSLB-70-2	70	2	34	4.00	7	18	3.00	2	4.8	620
HSSLB-70-3	70	3	34	4.00	7	18	3.00	2	4.8	795
HSSLB-110-2	110	2	40	5.25	8	20	3.50	2 1/2	7	960
HSSLB-110-3	110	3	40	5.25	8	20	3.50	2 1/2	7	1200
HSSLB-149-2	149	2	46	6.00	9	22	4.00	3	8.8	1050
HSSLB-149-3	149	3	46	6.00	9	22	4.00	3	8.8	1350
HSSLB-170-2	170	2	47.2	6.50	10	24	4.00	3	8.2	1150
HSSLB-170-3	170	3	47.2	6.50	10	24	4.00	3	8.2	1450
HSSLB-195-2	195	2	49.7	6.50	10	24	5.00	3 1/2	9.7	1780
HSSLB-195-3	195	3	49.7	6.50	10	24	5.00	3 1/2	9.7	2100



DO NOT EXCEED CAPACITY!
See the SAFETY GUIDELINES section before using these products. Pages 92-95.