



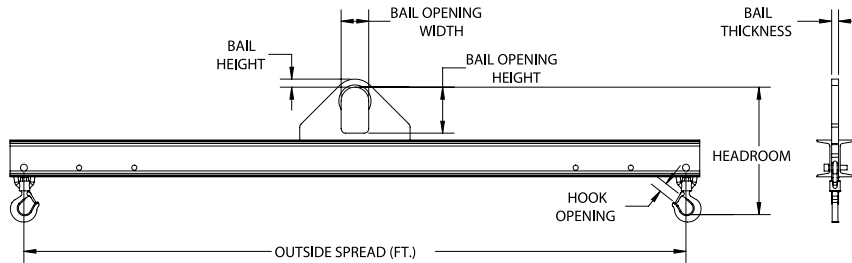
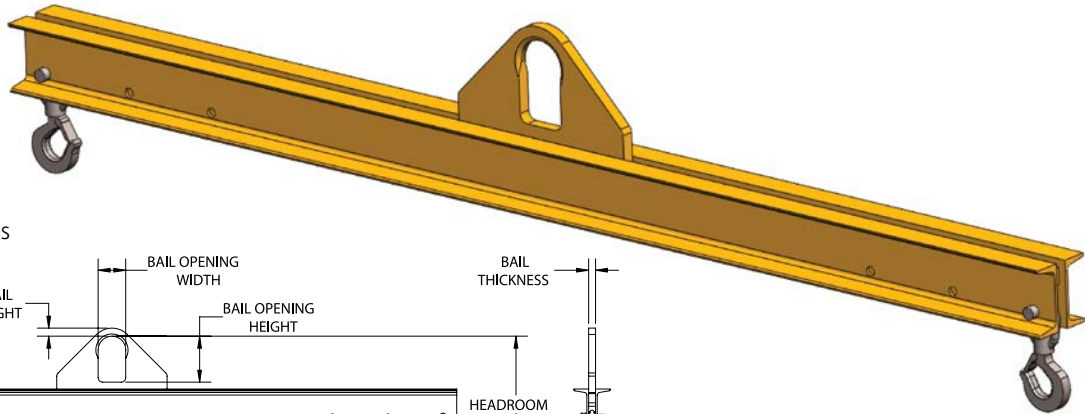
## HSDLB STANDARD DUTY LIFTING BEAM CHANNEL DESIGN

### FEATURES

- This style of lifting beam can be utilized where headroom is limited and comes with a pair of swivel hooks and three standard spreads (3' and 4' beams have two standard spreads).
- Three standard lift points for load adjustment: outside lift point, middle lift point (outside less 1'), inside lift point (middle less 1').
- Engineered and manufactured to ASME B30.20 & BTH-1 Design Category B Service Class 2.
- 100% of ALL lifting beams are Proof-Tested to 125% capacity and certificates supplied at No Additional Charge.
- Made in USA.

### OPTIONS

- Additional lift points
- Higher capacities
- Additional lengths
- Low headroom bail
- Additional hooks
- Shackle lugs
- Faspins
- Integrated beam stands



Model #	Capacity (Tons)	Outside Spread (Ft.)	Dimensions (Inches)						Weight (Lbs.)
			Headroom	Bail Height	Bail Opening Width	Bail Opening Height	Bail Thickness	Hook Opening	
HSDLB-1/2-3	1/2	3	13	0.88	3	5	0.75	0.91	40
HSDLB-1/2-4	1/2	4	13	0.88	3	5	0.75	0.91	50
HSDLB-1/2-6	1/2	6	13	0.88	3	5	0.75	0.91	65
HSDLB-1/2-8	1/2	8	13	0.88	3	5	0.75	0.91	80
HSDLB-1/2-10	1/2	10	14	0.88	3	5	0.75	0.91	125
HSDLB-1/2-12	1/2	12	14	0.88	3	5	0.75	0.91	145
HSDLB-1/2-14	1/2	14	15	0.88	3	5	0.75	0.91	210
HSDLB-1/2-16	1/2	16	16	0.88	3	5	0.75	0.91	360
HSDLB-1/2-18	1/2	18	17	0.88	3	5	0.75	0.91	465
HSDLB-1/2-20	1/2	20	18	0.88	3	5	0.75	0.91	490
HSDLB-1/2-24	1/2	24	20	0.88	3	5	0.75	0.91	765
HSDLB-1/2-30	1/2	30	22	0.88	3	5	0.75	0.91	1280
HSDLB-1-3	1	3	13	0.88	3	5	0.75	0.91	40
HSDLB-1-4	1	4	13	0.88	3	5	0.75	0.91	50
HSDLB-1-6	1	6	14	0.88	3	5	0.75	0.91	80
HSDLB-1-8	1	8	14	0.88	3	5	0.75	0.91	105
HSDLB-1-10	1	10	15	0.88	3	5	0.75	0.91	150
HSDLB-1-12	1	12	16	0.88	3	5	0.75	0.91	275
HSDLB-1-14	1	14	17	0.88	3	5	0.75	0.91	365
HSDLB-1-16	1	16	18	0.88	3	5	0.75	0.91	390
HSDLB-1-18	1	18	19	0.88	3	5	0.75	0.91	505
HSDLB-1-20	1	20	20	0.88	3	5	0.75	0.91	640
HSDLB-1-24	1	24	22	0.88	3	5	0.75	0.91	1025

cont.



## STANDARD DUTY LIFTING BEAM - CHANNEL DESIGN cont.

Model #	Capacity (Tons)	Outside Spread (Ft.)	Dimensions (Inches)						Weight (Lbs.)
			Headroom	Bail Height	Bail Opening Width	Bail Opening Height	Bail Thickness	Hook Opening	
HSDLB-2-3	2	3	13	0.88	3	5	0.75	0.91	40
HSDLB-2-4	2	4	14	0.88	3	5	0.75	0.91	60
HSDLB-2-6	2	6	15	0.88	3	5	0.75	0.91	95
HSDLB-2-8	2	8	16	0.88	3	5	0.75	0.91	150
HSDLB-2-10	2	10	17	0.88	3	5	0.75	0.91	265
HSDLB-2-12	2	12	18	0.88	3	5	0.75	0.91	295
HSDLB-2-14	2	14	19	0.88	3	5	0.75	0.91	400
HSDLB-2-16	2	16	22	0.88	3	5	0.75	1.00	690
HSDLB-2-18	2	18	22	0.88	3	5	0.75	1.00	775
HSDLB-2-20	2	20	22	0.88	3	5	0.75	1.00	860
HSDLB-2-24	2	24	25	0.88	3	5	0.75	1.00	1665
HSDLB-3-3	3	3	14	1.25	3	5	1	1	55
HSDLB-3-4	3	4	15	1.25	3	5	1	1	80
HSDLB-3-6	3	6	16	1.25	3	5	1	1	155
HSDLB-3-8	3	8	17	1.25	3	5	1	1	225
HSDLB-3-10	3	10	18	1.25	3	5	1	1	260
HSDLB-3-12	3	12	20	1.25	3	5	1	1	400
HSDLB-3-14	3	14	22	1.25	3	5	1	1	620
HSDLB-3-16	3	16	22	1.25	3	5	1	1	705
HSDLB-3-18	3	18	26	1.25	3	5	1	1.36	1280
HSDLB-3-20	3	20	26	1.25	3	5	1	1.36	1420
HSDLB-3-24	3	24	26	1.25	3	5	1	1.36	1690
HSDLB-5-3	5	3	18	2	4	7	1.25	1.36	100
HSDLB-5-4	5	4	19	2	4	7	1.25	1.36	145
HSDLB-5-6	5	6	20	2	4	7	1.25	1.36	210
HSDLB-5-8	5	8	22	2	4	7	1.25	1.36	280
HSDLB-5-10	5	10	24	2	4	7	1.25	1.36	380
HSDLB-5-12	5	12	25	2	4	7	1.25	1.36	570
HSDLB-5-14	5	14	30	2	4	7	1.25	1.61	1045
HSDLB-5-16	5	16	30	2	4	7	1.25	1.61	1185
HSDLB-5-18	5	18	30	2	4	7	1.25	1.61	1325
HSDLB-5-20	5	20	30	2	4	7	1.25	1.61	1470
HSDLB-5-24	5	24	33	2	4	7	1.25	1.61	2320
HSDLB-7.5-3	7.5	3	21	2	4	7	1.25	1.61	130
HSDLB-7.5-4	7.5	4	22	2	4	7	1.25	1.61	170
HSDLB-7.5-6	7.5	6	24	2	4	7	1.25	1.61	235
HSDLB-7.5-8	7.5	8	25	2	4	7	1.25	1.61	320
HSDLB-7.5-10	7.5	10	27	2	4	7	1.25	1.61	495
HSDLB-7.5-12	7.5	12	30	2	4	7	1.25	1.61	900
HSDLB-7.5-14	7.5	14	30	2	4	7	1.25	1.61	1050
HSDLB-7.5-16	7.5	16	30	2	4	7	1.25	1.61	1190
HSDLB-7.5-18	7.5	18	33	2	4	7	1.25	1.61	1640
HSDLB-10-3	10	3	22	2	4	7	1.25	1.61	145
HSDLB-10-4	10	4	23	2	4	7	1.25	1.61	165
HSDLB-10-6	10	6	25	2	4	7	1.25	1.61	260
HSDLB-10-8	10	8	27	2	4	7	1.25	1.61	410
HSDLB-10-10	10	10	30	2	4	7	1.25	1.61	770
HSDLB-10-12	10	12	30	2	4	7	1.25	1.61	910
HSDLB-10-14	10	14	30	2	4	7	1.25	1.61	1055
HSDLB-10-16	10	16	33	2	4	7	1.25	1.61	1475
HSDLB-10-18	10	18	33	2	4	7	1.25	1.61	1985

cont.



**DO NOT EXCEED CAPACITY!**  
See the SAFETY GUIDELINES section before using these products. Pages 92-95.



## HSDLB

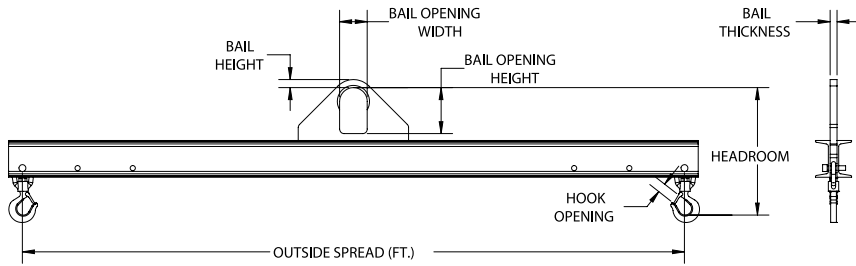
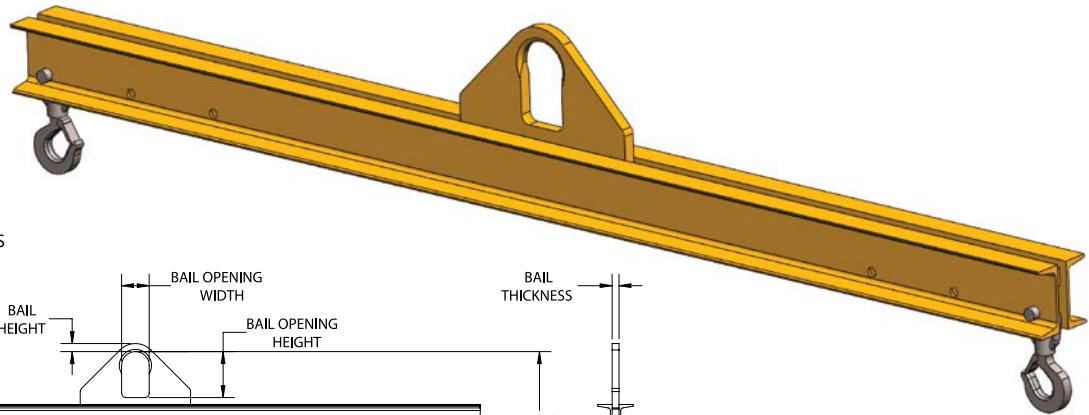
STANDARD DUTY LIFTING BEAM cont.  
CHANNEL DESIGN

### FEATURES

- This style of lifting beam can be utilized where headroom is limited and comes with a pair of swivel hooks and three standard spreads (3' and 4' beams have two standard spreads).
- Three standard lift points for load adjustment: outside lift point, middle lift point (outside less 1'), inside lift point (middle less 1').
- Engineered and manufactured to ASME B30.20 & BTH-1 Design Category B Service Class 2.
- 100% of ALL lifting beams are Proof-Tested to 125% capacity and certificates supplied at No Additional Charge.
- Made in USA.

### OPTIONS

- Additional lift points
- Higher capacities
- Additional lengths
- Low headroom bail
- Additional hooks
- Shackle lugs
- Faspins
- Integrated beam stands



Model #	Capacity (Tons)	Outside Spread (Ft.)	Dimensions (Inches)					Weight (Lbs.)	
			Headroom	Bail Height	Bail Opening Width	Bail Opening Height	Bail Thickness		Hook Opening
HSDLB-15-3	15	3	26	2.5	5	9	1.5	2.08	190
HSDLB-15-4	15	4	28	2.5	5	9	1.5	2.08	255
HSDLB-15-6	15	6	30	2.5	5	9	1.5	2.08	385
HSDLB-15-8	15	8	33	2.5	5	9	1.5	2.08	700
HSDLB-15-10	15	10	33	2.5	5	9	1.5	2.08	835
HSDLB-15-12	15	12	37	2.5	5	9	1.5	2.08	1195
HSDLB-15-14	15	14	37	2.5	5	9	1.5	2.08	1460
HSDLB-20-3	20	3	29	2.5	5	9	1.5	2.27	235
HSDLB-20-4	20	4	31	2.5	5	9	1.5	2.27	320
HSDLB-20-6	20	6	34	2.5	5	9	1.5	2.27	575
HSDLB-20-8	20	8	34	2.5	5	9	1.5	2.27	710
HSDLB-20-10	20	10	35	2.5	5	9	1.5	2.27	840
HSDLB-20-12	20	12	38	2.5	5	9	1.5	2.27	1585
HSDLB-25-4	25	4	38	3	6	12	1.75	3.02	415
HSDLB-25-6	25	6	41	3	6	12	1.75	3.02	680
HSDLB-25-8	25	8	41	3	6	12	1.75	3.02	815
HSDLB-25-10	25	10	44	3	6	12	1.75	3.02	1462
HSDLB-25-12	25	12	44	3	6	12	1.75	3.02	1700
HSDLB-30-4	30	4	45	3.5	7	16	2	3.02	655
HSDLB-30-6	30	6	45	3.5	7	16	2	3.02	790
HSDLB-30-8	30	8	48	3.5	7	16	2	3.02	1330
HSDLB-40-4	40	4	45	3.5	7	16	2.5	3.02	745
HSDLB-40-6	40	6	48	3.5	7	16	2.5	3.02	1185

