

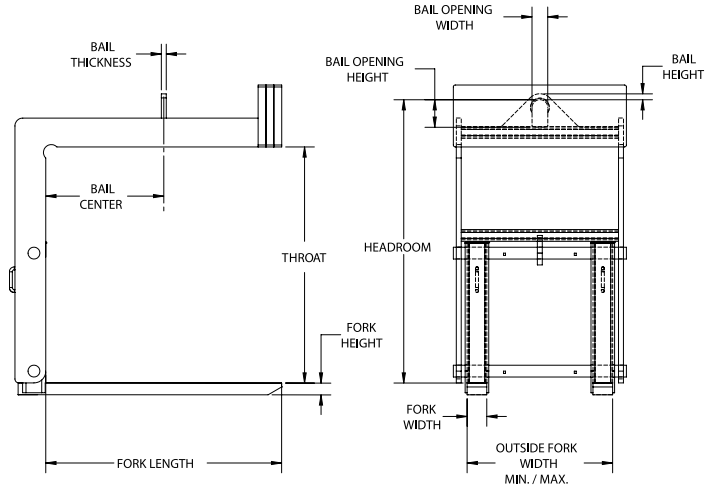
## HPLAF ADJUSTABLE FORK PALLET LIFTER

### FEATURES

- This style of lifter is designed to lift and carry palletized loads efficiently with an overhead crane.
- Supplied standard with manually adjustable forks that allow the lifter to handle various pallet sizes.
- Counter balanced to hang level when unloaded.
- Easily maintained low headroom design.
- The bail is a lower headroom design and is positioned to avoid side loading the crane hook.
- Engineered and manufactured to ASME B30.20 & BTH-1 Design Category B Service Class 2.
- 100% of ALL pallet lifters are Proof-Tested to 125% capacity and certificates supplied at No Additional Charge.
- Made in USA.

### OPTIONS

- Larger throat openings
- Greater outside fork widths
- Additional sizes and capacities available



Model #	Capacity (Tons)	Dimensions (Inches)											Weight (Lbs.)
		Fork Length	Fork Width	Fork Height	Outside Fork Width Min/Max	Bail Center	Throat Opening Height	Head-room	Bail Height	Bail Opening Width	Bail Opening Height	Bail Thickness	
HPLAF-1-36	1	36	2	2	16/38	18	48	58	0.88	3	5	0.75	900
HPLAF-1-42	1	42	2	2	16/38	21	48	58	0.88	3	5	0.75	1025
HPLAF-1-48	1	48	2	2	16/38	24	48	59	0.88	3	5	0.75	1050
HPLAF-1.5-36	1.5	36	3	2	16/38	18	48	59	0.88	3	5	0.75	1140
HPLAF-1.5-42	1.5	42	3	2	16/38	21	48	59	0.88	3	5	0.75	1215
HPLAF-1.5-48	1.5	48	3	2	16/38	24	48	60	0.88	3	5	0.75	1285
HPLAF-2-36	2	36	3	2	16/38	18	48	60	0.88	3	5	0.75	1325
HPLAF-2-42	2	42	4	2	16/38	21	48	60	0.88	3	5	0.75	1435
HPLAF-2-48	2	48	4	2	16/38	24	48	60	0.88	3	5	0.75	1460
HPLAF-3-42	3	42	4.5	2.5	16/38	21	48	61.5	1.25	3	5	1	1690
HPLAF-3-48	3	48	4.5	2.5	16/38	24	48	61.5	1.25	3	5	1	1850
HPLAF-3-54	3	54	4.5	2.5	16/38	27	48	63	1.25	3	5	1	2700
HPLAF-4-48	4	48	5	3	16/38	24	48	64	1.25	3	5	1	2160
HPLAF-4-60	4	60	5	3	16/38	30	60	76	1.25	3	5	1	3025
HPLAF-5-48	5	48	5	3	16/38	24	48	65	1.5	4	7	1.25	2520
HPLAF-5-60	5	60	5	3	16/38	30	60	77	1.5	4	7	1.25	2960

NOTE: Additional 2"-3" clearance is recommended above the load for ease of loading and unloading the pallet lifter.



**DO NOT EXCEED CAPACITY!**  
See the SAFETY GUIDELINES section before using these products. Pages 92-95.