

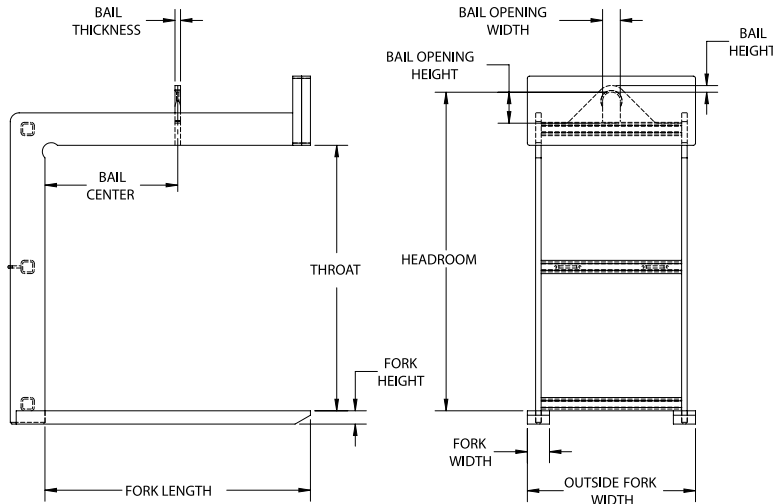
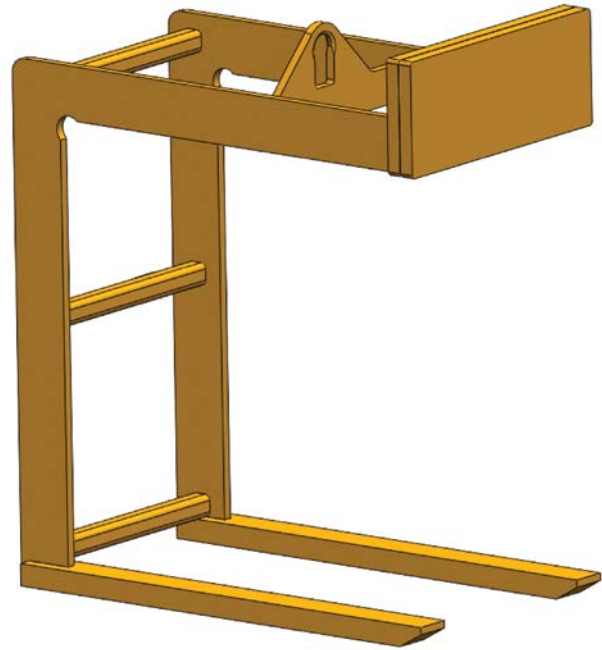
HPL FIXED FORK PALLET LIFTER

FEATURES

- This style of lifter is designed to lift and carry palletized loads efficiently with an overhead crane.
- Counter balanced to hang level when unloaded.
- Easily maintained low headroom design.
- The bail is a lower headroom design and is positioned to avoid side loading the crane hook.
- Engineered and manufactured to ASME B30.20 & BTH-1 Design Category B Service Class 2.
- 100% of ALL pallet lifters are Proof-Tested to 125% capacity and certificates supplied at No Additional Charge.
- Made in USA.

OPTIONS

- Larger throat openings
- Greater outside fork widths
- Additional sizes and capacities available



PALLET LIFTERS

Model #	Capacity (Tons)	Dimensions (Inches)											Weight (Lbs.)
		Fork Length	Fork Width	Fork Height	Outside Fork Width	Bail Center	Throat Opening Height	Headroom	Bail Height	Bail Opening Width	Bail Opening Height	Bail Thickness	
HPL-1-36	1	36	2	2	25	18	48	57.5	0.88	3	5	0.75	425
HPL-1-42	1	42	2	2	25	21	48	57.5	0.88	3	5	0.75	450
HPL-1-48	1	48	2	2	25	24	48	58.5	0.88	3	5	0.75	540
HPL-1.5-36	1.5	36	3	2	25	18	48	58.5	0.88	3	5	0.75	565
HPL-1.5-42	1.5	42	3	2	25	21	48	58.5	0.88	3	5	0.75	630
HPL-1.5-48	1.5	48	3	2	25	24	48	58.5	0.88	3	5	0.75	665
HPL-2-36	2	36	3	2	25	18	48	59.5	0.88	3	5	0.75	650
HPL-2-42	2	42	4	2	25	21	48	59.5	0.88	3	5	0.75	780
HPL-2-48	2	48	4	2	25	24	48	59.5	0.88	3	5	0.75	910
HPL-3-42	3	42	4.5	2.5	25	21	48	61.5	1.25	3	5	1	1110
HPL-3-48	3	48	4.5	2.5	27	24	48	61.5	1.25	3	5	1	1195
HPL-3-54	3	54	4.5	2.5	30	27	48	61.5	1.25	3	5	1	1405
HPL-4-48	4	48	5	3	27	24	48	63.5	1.25	3	5	1	1705
HPL-4-60	4	60	5	3	30	30	60	75.5	1.25	3	5	1	2020
HPL-5-48	5	48	5	3	30	24	48	63.5	1.5	4	7	1.25	1730
HPL-5-60	5	60	5	3	38	30	60	75.5	1.5	4	7	1.25	2035

NOTE: Additional 2"-3" clearance is recommended above the load for ease of loading and unloading the pallet lifter.

