

HFHBD

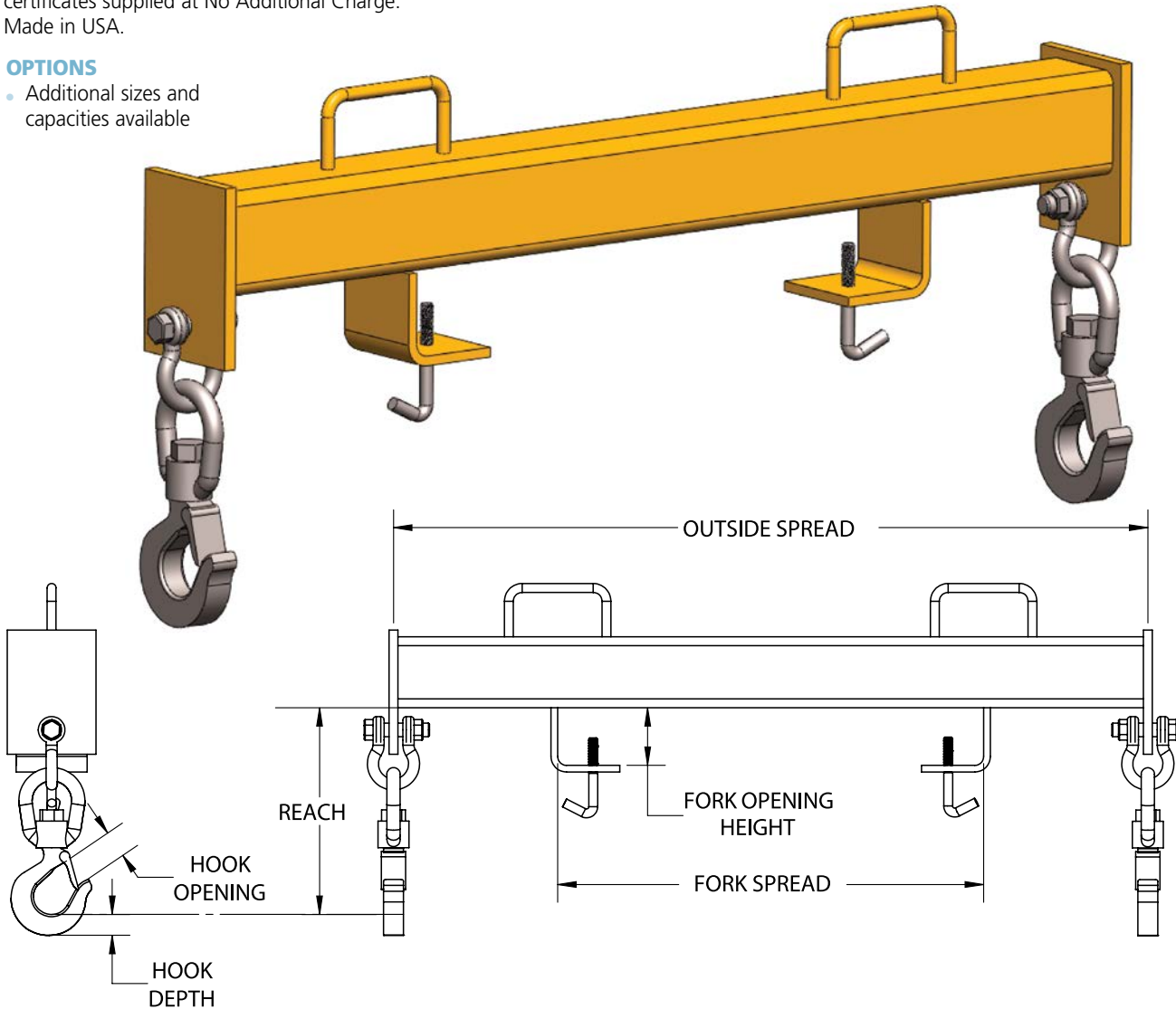
FORK TRUCK DOUBLE HOOK BEAM

FEATURES

- This style of fork truck attachment is designed to efficiently lift and carry loads on both forks of a lift truck with two latched swivel hooks.
- Easily attaches to the forks.
- Engineered and manufactured in accordance to ASME B30.20 & BTH-1 Design Category B Service Class 2.
- 100% of ALL fork truck hooks are Proof-Tested to 125% capacity and certificates supplied at No Additional Charge.
- Made in USA.

OPTIONS

- Additional sizes and capacities available



FORK TRUCK ACC.

Model #	Capacity (Tons)	Dimensions (Inches)						Weight (Lbs.)
		Outside Beam Spread	Fork Spread	Fork Opening Height	Hook Reach	Hook Depth	Hook Opening	
HFHBD-2-20	2	20	6.63	3.25	10.38	1.44	0.91	66
HFHBD-5-24	5	24	9.38	3.25	11.66	1.44	1.36	75

