



HBTF BAR TONG FIXED

FEATURES

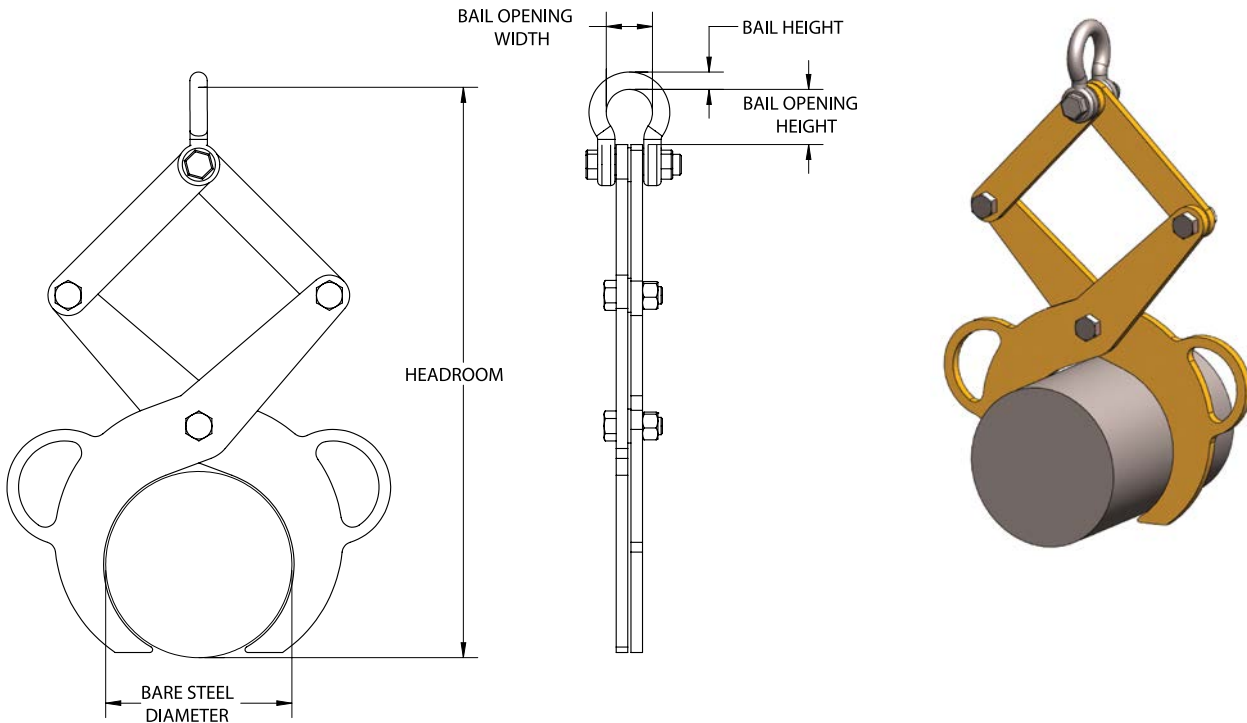
- This style of fixed diameter tong is ideal for lifting round bars, cast or steel pipe.
- The load must be balanced during the lift.
- Can be used in pairs attached to a lifting/spreader beam to handle longer loads.
- Engineered and manufactured to ASME B30.20 & BTH-1 Design Category B Service Class 2.
- 100% of ALL tongs are Proof-Tested to 125% capacity and certificates supplied at No Additional Charge.
- Made in USA.

OPTIONS

- Higher capacities available



TONGS



Model #	Capacity (Tons)	Dimensions (Inches)					Weight (Lbs.)
		Bare Steel Diameter	Headroom	Bail Height	Bail Opening Width	Bail Opening Height	
HBTF-1/2-5	1/2	5	17.00	0.63	1.69	1.69	17
HBTF-1-8	1	8	25.00	0.75	2	2	25

