

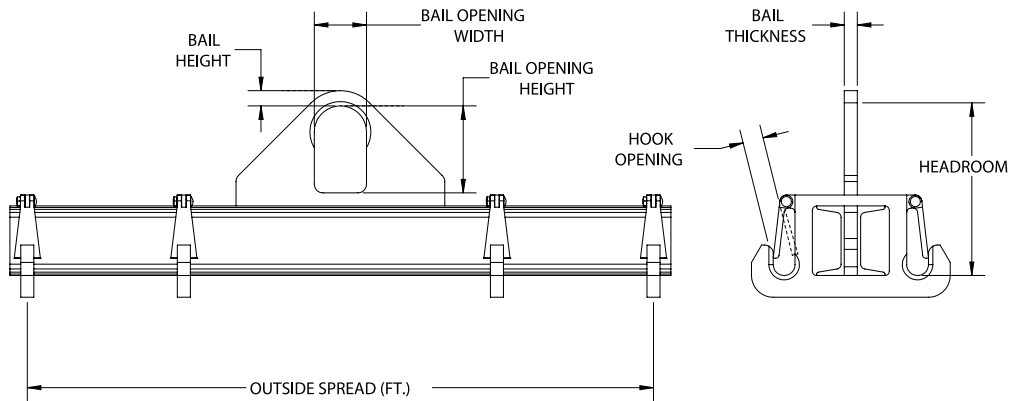
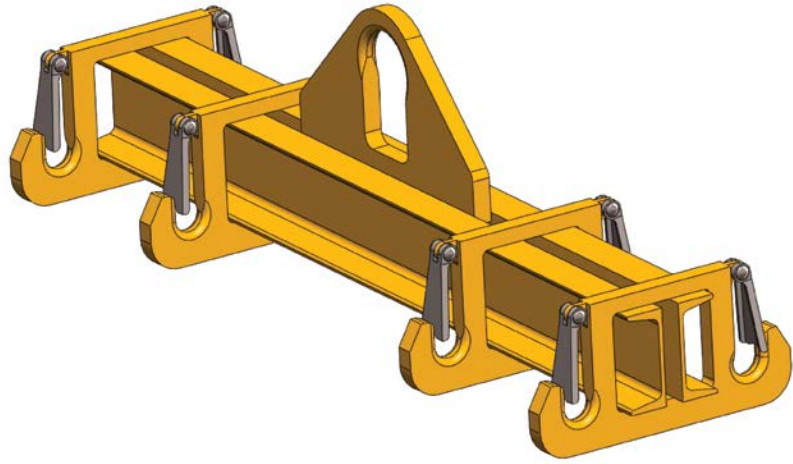
HBSLB BASKET SLING LIFTING BEAM

FEATURES

- This style of lifting beam can be utilized where headroom is limited with slings in a basket hitch.
- Includes two sets of fixed hooks (3' and 4' beams have one set of hooks).
- Two standard lift points for load adjustment; outside lift point & inside lift point (1/2 the overall length).
- Engineered & manufactured to ASME B30.20 & BTH-1 Design Category B Service Class 2.
- 100% of ALL lifting beams are Proof-Tested to 125% capacity & certificates supplied at No Additional Charge.
- Made in USA.

OPTIONS

- Additional lift points
- Higher capacities
- Additional lengths
- Low headroom bail
- Additional hooks
- Sling spacers



Model #	Capacity (Tons)	Outside Spread (Ft.)	Dimensions (Inches)						Weight (Lbs.)
			Headroom	Bail Height	Bail Opening Width	Bail Opening Height	Bail Thickness	Hook Opening	
HBSLB-1/2-3	1/2	3	9	0.88	3	5	0.75	1.06	53
HBSLB-1/2-4	1/2	4	9	0.88	3	5	0.75	1.06	68
HBSLB-1/2-6	1/2	6	9	0.88	3	5	0.75	1.06	116
HBSLB-1/2-8	1/2	8	9	0.88	3	5	0.75	1.06	158
HBSLB-1/2-10	1/2	10	10	0.88	3	5	0.75	1.06	210
HBSLB-1/2-12	1/2	12	10	0.88	3	5	0.75	1.06	231
HBSLB-1/2-14	1/2	14	11	0.88	3	5	0.75	1.06	313
HBSLB-1/2-16	1/2	16	11	0.88	3	5	0.75	1.06	348
HBSLB-1/2-18	1/2	18	12	0.88	3	5	0.75	1.06	445
HBSLB-1/2-20	1/2	20	12	0.88	3	5	0.75	1.06	486
HBSLB-1/2-24	1/2	24	13	0.88	3	5	0.75	1.06	658
HBSLB-1/2-30	1/2	30	14	0.88	3	5	0.75	1.06	898
HBSLB-1-3	1	3	9	0.88	3	5	0.75	1.13	53
HBSLB-1-4	1	4	9	0.88	3	5	0.75	1.13	68
HBSLB-1-6	1	6	10	0.88	3	5	0.75	1.13	152
HBSLB-1-8	1	8	11	0.88	3	5	0.75	1.13	221
HBSLB-1-10	1	10	11	0.88	3	5	0.75	1.13	242
HBSLB-1-12	1	12	12	0.88	3	5	0.75	1.13	305
HBSLB-1-14	1	14	12	0.88	3	5	0.75	1.13	355
HBSLB-1-16	1	16	13	0.88	3	5	0.75	1.13	410
HBSLB-1-18	1	18	14	0.88	3	5	0.75	1.13	566
HBSLB-1-20	1	20	14	0.88	3	5	0.75	1.13	617
HBSLB-1-24	1	24	16	0.88	3	5	0.75	1.13	952
HBSLB-1-30	1	30	16	0.88	3	5	0.75	1.13	1208

cont.



BASKET SLING LIFTING BEAM cont.

Model #	Capacity (Tons)	Outside Spread (Ft.)	Dimensions (Inches)						Weight (Lbs.)
			Headroom	Bail Height	Bail Opening Width	Bail Opening Height	Bail Thickness	Hook Opening	
HBSLB-2-3	2	3	10	0.88	3	5	0.75	1.13	74
HBSLB-2-4	2	4	11	0.88	3	5	0.75	1.13	95
HBSLB-2-6	2	6	11	0.88	3	5	0.75	1.13	168
HBSLB-2-8	2	8	12	0.88	3	5	0.75	1.13	236
HBSLB-2-10	2	10	13	0.88	3	5	0.75	1.13	315
HBSLB-2-12	2	12	14	0.88	3	5	0.75	1.13	394
HBSLB-2-14	2	14	14	0.88	3	5	0.75	1.13	469
HBSLB-2-16	2	16	15	0.88	3	5	0.75	1.13	541
HBSLB-2-18	2	18	16	0.88	3	5	0.75	1.13	761
HBSLB-2-20	2	20	16	0.88	3	5	0.75	1.13	856
HBSLB-2-24	2	24	18	0.88	3	5	0.75	1.13	1282
HBSLB-2-30	2	30	21	0.88	3	5	0.75	1.13	2386
HBSLB-5-3	5	3	14	2	4	7	1	1.13	95
HBSLB-5-4	5	4	15	2	4	7	1	1.13	168
HBSLB-5-6	5	6	16	2	4	7	1	1.13	289
HBSLB-5-8	5	8	17	2	4	7	1	1.13	368
HBSLB-5-10	5	10	17	2	4	7	1	1.13	473
HBSLB-5-12	5	12	17	2	4	7	1	1.13	525
HBSLB-5-14	5	14	19	2	4	7	1.25	1.13	897
HBSLB-5-16	5	16	20	2	4	7	1.25	1.13	987
HBSLB-5-18	5	18	23	2	4	7	1.25	1.13	1468
HBSLB-5-20	5	20	23	2	4	7	1.25	1.13	1733
HBSLB-5-24	5	24	23	2	4	7	1.25	1.13	2251
HBSLB-5-30	5	30	26	2	4	7	1.25	1.13	2447
HBSLB-7.5-3	7.5	3	15	2	4	7	1.25	1.75	158
HBSLB-7.5-4	7.5	4	16	2	4	7	1.25	1.75	189
HBSLB-7.5-6	7.5	6	17	2	4	7	1.25	1.75	336
HBSLB-7.5-8	7.5	8	18	2	4	7	1.25	1.75	431
HBSLB-7.5-10	7.5	10	18	2	4	7	1.25	1.75	525
HBSLB-7.5-12	7.5	12	20	2	4	7	1.25	1.75	735
HBSLB-7.5-14	7.5	14	23	2	4	7	1.25	1.75	1204
HBSLB-7.5-16	7.5	16	23	2	4	7	1.25	1.75	1364
HBSLB-7.5-18	7.5	18	23	2	4	7	1.25	1.75	1541
HBSLB-7.5-20	7.5	20	23	2	4	7	1.25	1.75	1686
HBSLB-7.5-24	7.5	24	26	2	4	7	1.25	1.75	2452
HBSLB-7.5-30	7.5	30	26	2	4	7	1.25	1.75	3021
HBSLB-10-3	10	3	16	2	4	7	1.25	1.75	163
HBSLB-10-4	10	4	17	2	4	7	1.25	1.75	210
HBSLB-10-6	10	6	18	2	4	7	1.25	1.75	347
HBSLB-10-8	10	8	20	2	4	7	1.25	1.75	525
HBSLB-10-10	10	10	23	2	4	7	1.25	1.75	893
HBSLB-10-12	10	12	20	2	4	7	1.25	1.75	1050
HBSLB-10-14	10	14	23	2	4	7	1.25	1.75	1220
HBSLB-10-16	10	16	23	2	4	7	1.25	1.75	1365
HBSLB-10-18	10	18	26	2	4	7	1.25	1.75	1827
HBSLB-10-20	10	20	26	2	4	7	1.25	1.75	2040
HBSLB-10-24	10	24	26	2	4	7	1.25	1.75	2472
HBSLB-10-30	10	30	26	2	4	7	1.25	1.75	3110

cont.



WARNING

DO NOT EXCEED CAPACITY!

See the SAFETY GUIDELINES section before using these products. Pages 92–95.

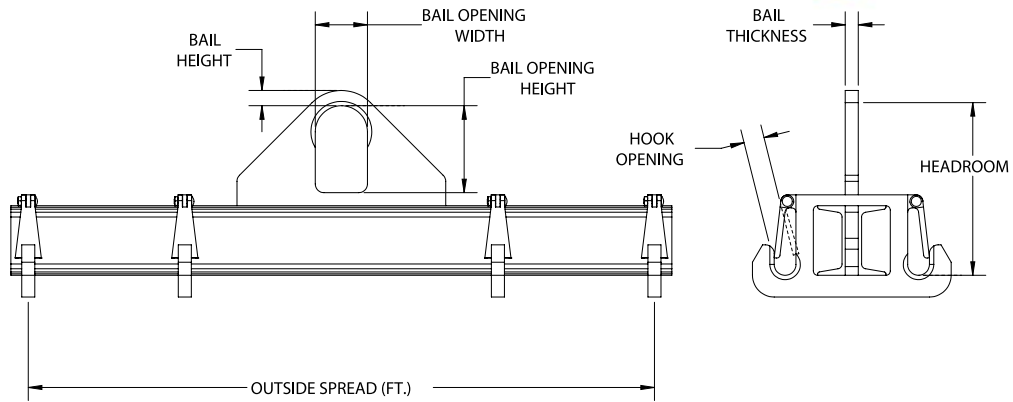
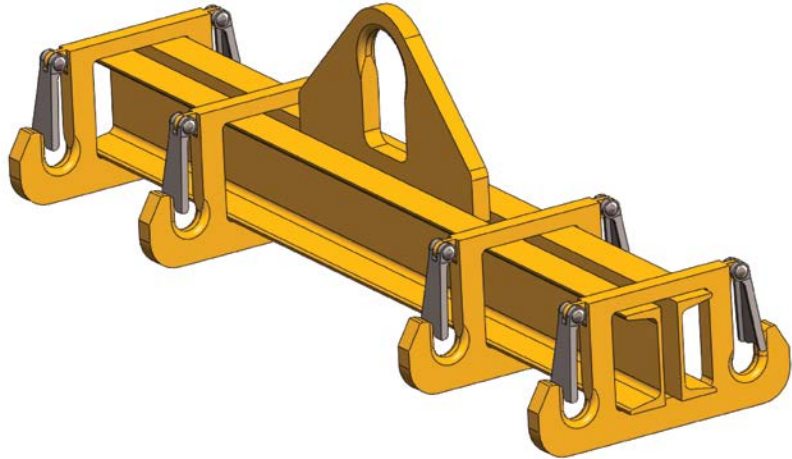
HBSLB BASKET SLING LIFTING BEAM cont.

FEATURES

- This style of lifting beam can be utilized where headroom is limited with slings in a basket hitch.
- Includes two sets of fixed hooks (3' and 4' beams have one set of hooks).
- Two standard lift points for load adjustment; outside lift point & inside lift point (1/2 the overall length).
- Engineered & manufactured to ASME B30.20 & BTH-1 Design Category B Service Class 2.
- 100% of ALL lifting beams are Proof-Tested to 125% capacity & certificates supplied at No Additional Charge.
- Made in USA.

OPTIONS

- Additional lift points
- Higher capacities
- Additional lengths
- Low headroom bail
- Additional hooks
- Sling spacers



Model #	Capacity (Tons)	Outside Spread (Ft.)	Dimensions (Inches)						Weight (Lbs.)
			Headroom	Bail Height	Bail Opening Width	Bail Opening Height	Bail Thickness	Hook Opening	
HBSLB-15-3	15	3	19	2.5	5	9	1.5	4	266
HBSLB-15-4	15	4	20	2.5	5	9	1.5	4	344
HBSLB-15-6	15	6	22	2.5	5	9	1.5	4	956
HBSLB-15-8	15	8	22	2.5	5	9	1.5	4	1050
HBSLB-15-10	15	10	25	2.5	5	9	1.5	4	1208
HBSLB-15-12	15	12	28	2.5	5	9	1.5	4	1827
HBSLB-15-14	15	14	28	2.5	5	9	1.5	4	2032
HBSLB-15-16	15	16	28	2.5	5	9	1.5	4	2205
HBSLB-15-18	15	18	28	2.5	5	9	1.5	4	2511
HBSLB-15-20	15	20	28	2.5	5	9	1.5	4	2713
HBSLB-15-24	15	24	28	2.5	5	9	1.5	4	3675
HBSLB-15-30	15	30	30	2.5	5	9	1.5	4	4305
HBSLB-20-3	20	3	20	2.5	5	9	1.5	4	417
HBSLB-20-4	20	4	22	2.5	5	9	1.5	4	495
HBSLB-20-6	20	6	22	2.5	5	9	1.5	4	1019
HBSLB-20-8	20	8	25	2.5	5	9	1.5	4	1302
HBSLB-20-10	20	10	25	2.5	5	9	1.5	4	1319
HBSLB-20-12	20	12	25	2.5	5	9	1.5	4	2079
HBSLB-20-14	20	14	28	2.5	5	9	1.5	4	2168
HBSLB-20-16	20	16	28	2.5	5	9	1.5	4	2321
HBSLB-20-18	20	18	28	2.5	5	9	1.5	4	2604
HBSLB-20-20	20	20	28	2.5	5	9	1.5	4	2893
HBSLB-20-24	20	24	31	2.5	5	9	1.5	4	4247
HBSLB-20-30	20	30	31	2.5	5	9	1.5	4	4725

