

HATSB

ADJUSTABLE TELESCOPIC SPREADER BEAM

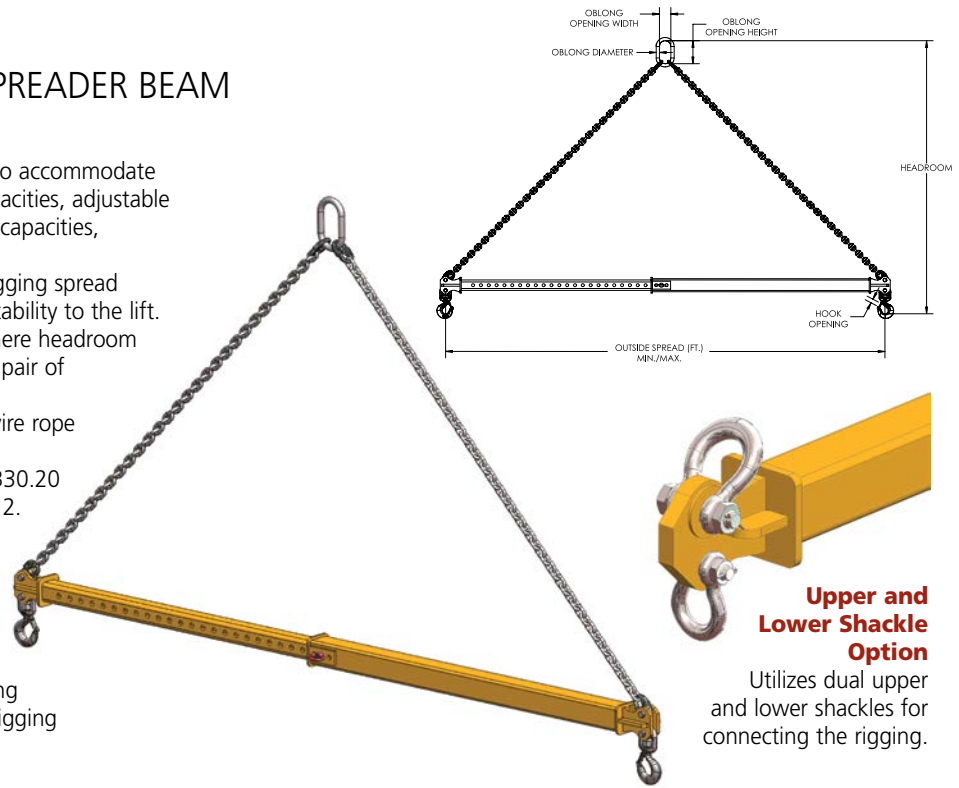
SPREADER BEAMS

FEATURES

- This style of spreader beam is telescopic to accommodate various load sizes – 2 through 15 ton capacities, adjustable increments at 1" and 20 through 40 ton capacities, adjustable increments at 12".
- This style of lifter is utilized with upper rigging spread between two lift points that adds extra stability to the lift.
- This spreader beam should be utilized where headroom is not limited and comes standard with a pair of swivel hooks.
- Can be supplied with optional chain or wire rope top rigging.
- Engineered and manufactured to ASME B30.20 & BTH-1 Design Category B Service Class 2.
- 100% of ALL spreader beams are Proof-Tested to 125% capacity and certificates supplied at No Additional Charge.
- Made in USA.

OPTIONS

- Higher capacities
- Additional lengths
- Upper and lower shackle design
- Chain top rigging
- Wire rope top rigging



Upper and Lower Shackle Option
Utilizes dual upper and lower shackles for connecting the rigging.

Model #	Capacity (Tons)	Outside Spread Min/Max (Ft.)	Dimensions (Inches)				Beam & Hook Weight (Lbs.)	Chain Rigging Weight (Lbs.)	
			Headroom Min/Max	Oblong ML Diameter	Oblong ML Opening Width	Oblong ML Opening Height			Hook Opening
HATSB-2-4/6	2	4/6	50/60	0.63	3	6	0.91	70	9
HATSB-2-6/10	2	6/10	76/92	0.63	3	6	0.91	85	13
HATSB-2-8/14	2	8/14	101/119	0.63	3	6	0.91	175	17
HATSB-2-12/20	2	12/20	139/174	0.63	3	6	0.91	245	23
HATSB-5-4/6	5	4/6	58/67	1	3.5	7	1.36	105	34
HATSB-5-6/10	5	6/10	83/100	1	3.5	7	1.36	160	47
HATSB-5-8/14	5	8/14	107/132	1	3.5	7	1.36	205	61
HATSB-5-12/20	5	12/20	145/181	1	3.5	7	1.36	670	82
HATSB-10-4/6	10	4/6	63/72	1.25	4.38	8.75	1.61	95	49
HATSB-10-6/10	10	6/10	78/117	1.25	4.38	8.75	1.61	175	69
HATSB-10-8/14	10	8/14	113/139	1.25	4.38	8.75	1.61	460	88
HATSB-10-12/20	10	12/20	151/171	1.25	4.38	8.75	1.61	680	118
HATSB-15-4/6	15	4/6	67/76	1.5	5.25	10.5	2.08	165	78
HATSB-15-6/10	15	6/10	91/109	1.5	5.25	10.5	2.08	365	111
HATSB-15-8/14	15	8/14	117/142	1.5	5.25	10.5	2.08	478	145
HATSB-15-12/20	15	12/20	154/189	1.5	5.25	10.5	2.08	700	194
HATSB-20-7/11	20	7/11	98/112	1.75	6	12	2.27	430	175
HATSB-20-9/15	20	9/15	129/151	1.75	6	12	2.27	540	225
HATSB-20-12/20	20	12/20	159/189	1.75	6	12	2.27	822	275
HATSB-25-7/11	25	7/11	103/112	2	7	14	3.02	430	240
HATSB-25-9/15	25	9/15	125/148	2	7	14	3.02	540	295
HATSB-25-12/20	25	12/20	156/188	2	7	14	3.02	825	365
HATSB-30-7/11	30	7/11	107/121	2	7	14	3.02	615	240
HATSB-30-9/15	30	9/15	130/152	2	7	14	3.02	750	295
HATSB-30-12/20	30	12/20	162/192	2	7	14	3.02	1065	365
HATSB-40-7/11	40	7/11	110/124	2.25	8	16	3.02	620	375
HATSB-40-9/15	40	9/15	133/155	2.25	8	16	3.02	840	470
HATSB-40-12/20	40	12/20	162/193	2.25	8	16	3.02	1500	565

