



Overload Protection Safety Device, Standard on 1t Capacity and Greater

A High Quality Urethane Paint

Heavy Duty Single Braid Wire Reinforced Air Hose with Swivel Fittings on each end

Galvanized Load Chain for Corrosion Resistance

Meets ASME B30.16 Standards

Pendant Control Machined from Solid Brass for Corrosion Resistant and Spark Resistance with an Emergency Stop Button. Available in Aluminium as well.

Atex approved, EX II 2 GD IIC T4 (X) / EX II 2 GD IIB T4 (X) / EX II 2 GD IIC T4 (X). Additional resistance can be offered with copper platings and stainless steel components

Trolleys can be offered with 100% Stainless Steel Side Plates and Solid Bronze Wheels

Upper Hook with a Safety Factor of 5X the Nominal Load

Low-maintenance lubrication free Rotary Vane Motor for clean use within Food Grade, Petrochemical, and Pharmaceutical Environments

Heat Treated and Rust-Free Motor Components with Removable Stainless Steel Cylinder, Allow for Operational Longevity and Low Cost Replacement

Air Valve is 100% Nickel Plated inside and out for Corrosion Resistance.

Infinitely Variable Speed Via Pull Cord Control (not pictured)



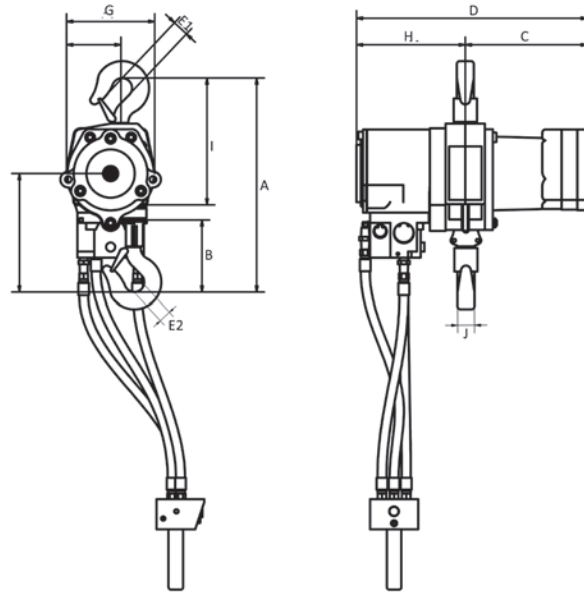
SANS 1638 Compliant

ELEPHANT
LIFTING PRODUCTS™

WWW.ELEPHANTLIFTING.COM



ATS INDUSTRIAL SERIES AIR CHAIN HOIST 0.25ton-2ton



SPECIFICATIONS - ATS AIR CHAIN HOIST - 0.25ton - 2ton					
Lifting Capacity	mt	0.25	0.5	1	2
	T	0.27	0.55	1.1	2.2
Number of Fall of Chain		1	1	1	1
Motor Power Output	H.P.	1.9	1.9	1.9	2.4
	kW	1.4	1.4	1.4	1.8
Weight with Pull Cord	lbs.	55	55	64	72
Weight with Pilot Pendant	lbs.	62	62	71	79
Chain Weight Per Additional Foot of Lift	lbs.	0.75	0.75	0.75	1.5
Chain Dimension	mm	7x21	7x21	7x21	9x27
Air Pressure	PSI	87	87	87	87
	bar	6	6	6	6
Air Consumption at Full Load	cfm	60-75	60-75	60-75	95
	m3/min	1.75	1.75	1.75	1.75
Air Hose Connection	1" BSP				
Air Hose Dimension	3/4" (19mm - 25mm)				
Lifting Speed at Full Load	ft. / min.	89	62	19	29
Lifting Speed without Load	ft. / min.	98	98	26	43
Lower Speed with Full Load	ft. / min.	108	108	24	45
Standard Lift	ft.	10	10	10	10
Length of Control for Standard Lift	ft.	6.5	6.5	6.5	6.5
Noise Level	84 DbA @ 1m				

DIMENSIONS - ATS AIR CHAIN HOIST - 0.25ton - 2ton					
Type		0.25 ton	0.5 ton	1 ton	2 ton
A min. headroom	inch	12.8	12.8	12.8	12.8
	mm	325	325	325	325
B	inch	4.0	4.0	4.7	4.7
	mm	102	102	120	120
C	inch	3.9	3.9	8.0	8.0
	mm	99	99	202	202
D	inch	10.8	10.8	15.0	15.0
	mm	274	274	382	382
E1	inch	0.9	0.9	1.3	1.3
	mm	22	22	32	32
E2	inch	0.9	0.9	1.3	1.3
	mm	22	22	32	32
G maximum width	inch	5.7	5.7	5.7	5.7
	mm	146	146	146	146
H	inch	6.9	6.9	7.1	7.1
	mm	175	175	180	180
I	inch	7.7	7.7	8.3	8.3
	mm	196	196	211	211
J (hook Width)	inch	0.7	0.7	0.9	0.9
	mm	19	19	23	23

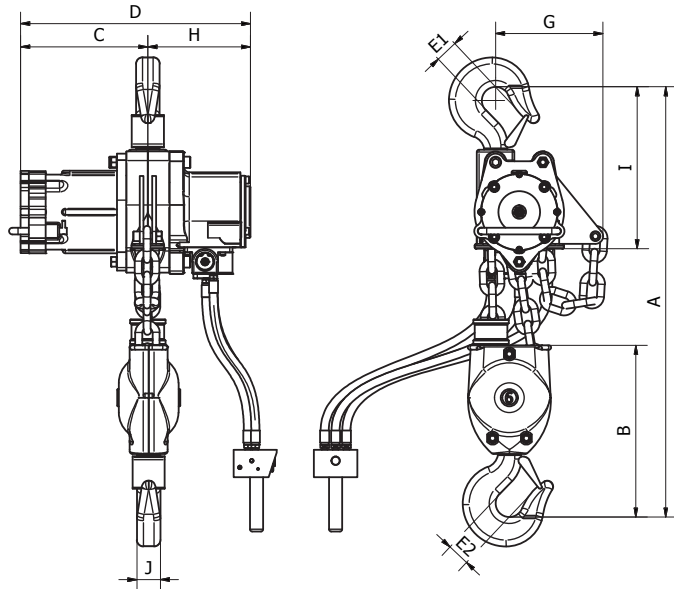
* Chain containers will increase headroom

ELEPHANT
LIFTING PRODUCTS™

CALL TOLL-FREE 888-844-6113



ATS INDUSTRIAL SERIES AIR CHAIN HOIST 3ton-10ton



SPECIFICATIONS - ATS AIR CHAIN HOIST - 3ton - 10ton						
Lifting Capacity	mt	3	4.2	5	6	10
	T	3.3	4.6	5.5	6.6	11
Number of Fall of Chain		1	1	1	2	2
Motor Power Output	H.P.	2.4	3.3	3.3	2.4	3.3
	kW	1.8	2.5	2.5	1.8	2.5
Weight with Pull Cord	lbs.	130	160	162	171	267
Weight with Pilot Pendant	lbs.	137	167	169	178	274
Chain Weight Per Additional Foot of Lift	lbs.	2.6	2.5	4	5.2	8
Chain Dimension	mm	13 x 36	13 x 36	16 x 45	13 x 36	16 x 45
Air Pressure	PSI	72-102	72-102	72-102	72-102	72-102
	bar	5-7	5-7	5-7	5-7	5-7
Air Consumption at Full Load	cfm	110	110	110	110	110
	m3/min	1.75	1.75	1.75	1.75	1.75
Air Hose Connection	3/4" BSP					
Air Hose Dimension	3/4" (19mm - 25mm)					
Lifting Speed at Full Load	ft. / min.	18.3	8.5	8.5	9.3	4.2
Lifting Speed without Load	ft. / min.	23.75	9.8	18.3	13.1	9.1
Lower Speed with Full Load	ft. / min.	25.4	11.4	2.4	14.3	11.8
Standard Lift	ft.	10	10	10	10	10
Length of Control for Standard Lift	ft.	6.5	6.5	6.5	6.5	6.5
Noise Level	84 DbA @ 1m					

DIMENSIONS - ATS AIR CHAIN HOIST - 3ton - 10ton						
Type		3 ton	4.2 ton	5 ton	6 ton	10 ton
A min. headroom	inch	20.6	22.6	24.5	25.6	31.5
	mm	522	575	623	650	800
B	inch	8.9	10.8	10.8	13.1	12.6
	mm	225	275	275	333	320
C	inch	9.2	10.5	10.7	9.2	10.5
	mm	234	266	271	234	267
D	inch	18.9	17.9	18.3	18.9	20.5
	mm	480	454	464	480	521
E1	inch	1.6	1.7	1.7	1.6	1.7
	mm	40	42	42	40	42
E2	inch	1.6	1.7	1.7	1.6	1.7
	mm	40	42	42	40	42
G maximum width	inch	9.4	7.8	11.2	9.4	13.4
	mm	240	198	285	240	340
H	inch	9.7	7.4	7.6	9.7	10.0
	mm	246	188	193	246	254
I	inch	11.8	11.7	13.8	16.7	18.9
	mm	299	297	351	423	480
J (hook Width)	inch	1.8	3.1	3.1	1.9	2.1
	mm	45	80	80	48	53

* Chain containers will increase headroom

ELEPHANT
LIFTING PRODUCTS™

WWW.ELEPHANTLIFTING.COM