



ALPHA SERIES COMPACT

ELECTRIC CHAIN HOIST

1 - P H A S E



Features of the ALPHA Compact Electric Chain Hoist

- ❶ The aluminum die cast body is designed for environments where noise levels must be kept to a minimum
- ❷ Compact design with low headroom, net weight of the hoists range from 32 lbs. with a standard 10' lift
- ❸ Alpha S series has a single brake design
- ❹ Overload and overwind safety device. This device ensures stability when the hoist is over wound, or over lowered. The device also protects against an overload of the unit, helping to prevent damage to the hoist and injury to personnel.
- ❺ A special surface treated load chain for corrosion resistance
- ❻ The load chain is extremely durable, adhering to the strict German DIN 5684 standard
- ❼ Upper and lower hooks with safety latches are designed to slowly stretch in the event of an overload, allowing for a visual indicator to the operator, to cease operation. The bottom hook has a thrust bearing to reduce stress on the lower block, while under load.
- ❽ The pendant control's contactor is designed for frequent use, guaranteeing excellent durability, even when 'inching' a load.

ELEPHANT
LIFTING PRODUCTS™

CALL TOLL-FREE 888-844-6113



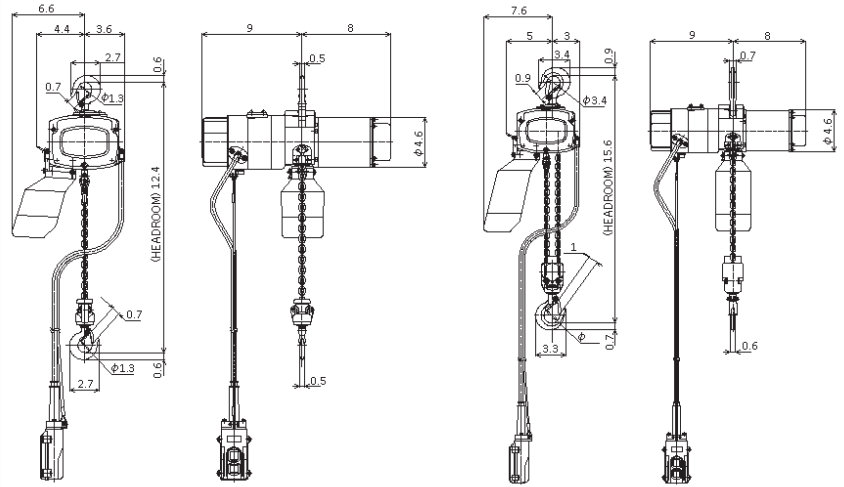
60kg ~ 250kg

500kg

S SERIES
1-PHASE
1-SPEED

SB SERIES
1-PHASE
DUAL SPEED

SV SERIES
1-PHASE
VARIABLE SPEED



Note: Length A changes according to the power source used.

Motor Output	A (inches)
Single Phase 300 watts	7
Single Phase 600 watts	9
Three Phase 5500 watts	8

SPECIFICATIONS - ALPHA ELECTRIC CHAIN HOIST SINGLE PHASE

Type		Single - Speed Type					Variable - Speed Type					Dual - Speed Type				
Model		S-006	S-01	S-016	S-025	S-05	SV-006	SV-01	SV-016	SV-025	SV-05	SB-006	SB-01	SB-016	SB-025	SB-05
		H-006	H-01	H-016	H-025	H-05	HV-006	HV-01	HV-016	HV-025	HV-05	HB-06	HB-01	HB-016	HB-025	HB-05
Rated Load (lbs)		130	220	350	550	1100	130	220	350	550	1100	130	220	350	550	1100
Rated Load (kg)		60	100	160	250	500	60	100	160	250	500	60	100	160	250	500
Motor Output (W)		300					300					300				
Short Time Rating (min)		25					25					25				
Repetition Ratings	Load Time Rate ()	30					30					30				
	Max. Starting Freq (times/h)	180					180					180				
Rated Current (A)		6 [4]	8 [5]	12 [6]	12 [6]	12 [6]	6 [4]	8 [5]	12 [6]	12 [6]	12 [6]	6 [4]	8 [5]	12 [6]	12 [6]	12 [6]
Lifting Speed (ft / min)		42	42	49	32	16	[3] [42]	[3] [42]	[3] [49]	[3] [32]	[1.5] [16]	Low [16] High [42]	Low [13] High [42]	Low [16] High [49]	Low [13] High [32]	Low [6] High [16]
Standard Lift (ft)		10	10	10	10	10	10	10	10	10	10	10	10	10	10	10
Headroom (in)		12.8	12.8	12.8	12.8	16.34	12.8	12.8	12.8	12.8	16.34	12.8	12.8	12.8	12.8	16.34
Push-button Cord Length (ft)		8	8	8	8	8	8	8	8	8	8	8	8	8	8	8
Load Chain - Dia. X Pitch (mm)		4 x 12	4 x 12	4 x 12	4 x 12	4 x 12	4 x 12	4 x 12	4 x 12	4 x 12	4 x 12	4 x 12	4 x 12	4 x 12	4 x 12	4 x 12
Net Weight (lbs)		32	32	36	36	44	33	33	38	38	45	32	32	36	36	44

- Notes:**
1. A power source cable (2mm²X4 Core wires) 5M is included for 3phase.
 2. Figure in [] shows that of α H Type.
 3. Power supply voltage for operating the push-button switch is 24V 3 phase or 100V (or 200V) single phase.
 4. 500kg type is also available in 490kg.

**ELEPHANT
LIFTING PRODUCTS™**

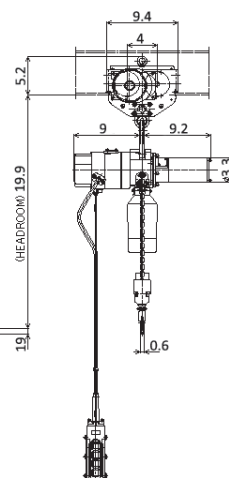
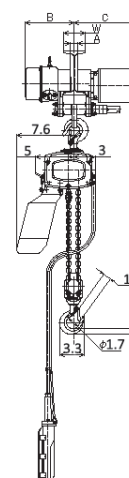
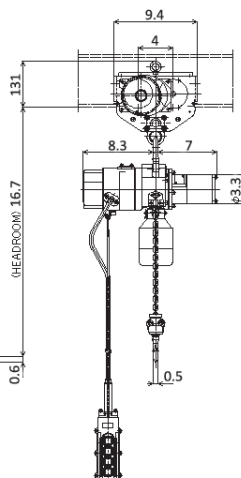
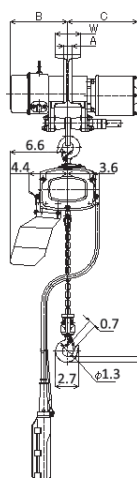
WWW.ELEPHANTLIFTING.COM



SM SERIES
1-PHASE
1-SPEED

SBM SERIES
1-PHASE
DUAL SPEED

SVM SERIES
1-PHASE
VARIABLE SPEED



Note-1: Length A changes according to the power source used.

Note-2: The B, C, E dimensions change according to the width of the applicable rail.

Motor Output	A (inches)
Single Phase 300 watts	7
Single Phase 600 watts	9

	Rail Width D (inches)		
	3	3.9	4.9
B	14.8	15.7	16.7
C	0.9	1.9	2.9
E	8.1	8.6	9.1

SPECIFICATIONS - ALPHA MOTORIZED CHAIN HOIST SINGLE PHASE

Model		Rated Load (lbs)	Rated Load (kg)	Voltage (V)	Headroom (in)	Standard Lift (ft)	Motor output (KW)	Lifting Speed (ft/min)	Traverse Motor Output (KW)	Traversing Spd. (ft/min): 50Hz/60Hz	Applicable Traversing Rail Width (in)	Min. Traversing Turning Radius (in)	Min. Height of Traversing Rail (in)	Net Weight (lbs)
100-115V	200-230V													
SM-006	HM-006	130	60	115/230V	16.77	10	0.3	42	0.3	32 / 39	2.95 3.94 4.92	43.31	4.92	72
SVM-006	HVM-006	130	60	115/230V	16.77	10	0.3	[3] [42]	0.3	32 / 39		43.31	4.92	73
SBM-006	HBM-006	130	60	115/230V	16.77	10	0.3	L[16] H[42]	0.3	32 / 39		43.31	4.92	72
SM-01	HM-01	220	100	115/230V	16.77	10	0.3	42	0.3	32 / 39		43.31	4.92	72
SVM-01	HVM-01	220	100	115/230V	16.77	10	0.3	[3] [42]	0.3	32 / 39		43.31	4.92	73
SBM-01	HBM-01	220	100	115/230V	16.77	10	0.3	L[13] H[42]	0.3	32 / 39		43.31	4.92	72
SM-016	HM-016	350	160	115/230V	16.77	10	0.6	49	0.3	32 / 39		43.31	4.92	72
SVM-016	HVM-016	350	160	115/230V	16.77	10	0.6	[3] [49]	0.3	32 / 39		43.31	4.92	77
SBM-016	HBM-016	350	160	115/230V	16.77	10	0.6	L[16] H[49]	0.3	32 / 39		43.31	4.92	76
SM-025	HM-025	550	250	115/230V	16.77	10	0.6	32	0.3	32 / 39		43.31	4.92	76
SVM-025	HVM-025	550	250	115/230V	16.77	10	0.6	[3] [32]	0.3	32 / 39		43.31	4.92	77
SBM-025	HBM-025	550	250	115/230V	16.77	10	0.6	L[13] H[32]	0.3	32 / 39		43.31	4.92	76
SM-050	HM-050	1100	500	115/230V	20.31	10	0.6	16	0.3	32 / 39		43.31	4.92	84
SVM-050	HVM-050	1100	500	115/230V	20.31	10	0.6	[1.5] [16]	0.3	32 / 39		43.31	4.92	85
SBM-050	HBM-050	1100	500	115/230V	20.31	10	0.6	L[6] H[16]	0.3	32 / 39		43.31	4.92	84

- Notes:**
1. The minimum distance between hooks slightly differs according to the size of the applicable traverse rail.
 2. The single-phase traverse motor has E-class insulation, and the short time rating is 15 min.
 3. The power cord of 0.5m extending from the trolley (3-core; 1 pc. for earth) is supplied.

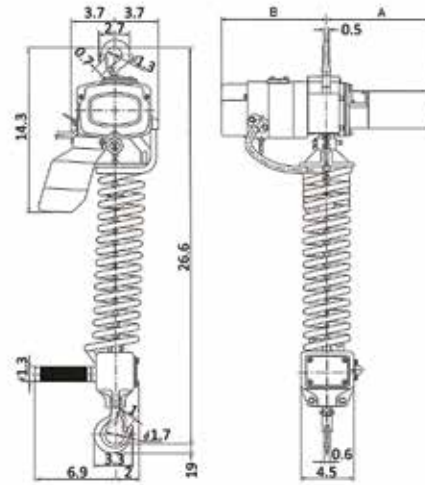


CALL TOLL-FREE 888-844-6113



SDH SERIES
1-PHASE
115V

HDH SERIES
1-PHASE
230V



Above schematic measured in inches

DIMENSIONS - ALPHA ERGO GRIP

	Dimension A (in)	Dimension B (in)
Single Phase up to 100kg	7	8.7
Single Phase up to 250kg	9.1	9
Three Phase up to 250kg	8	9

SPECIFICATIONS - ALPHA ERGO GRIP 1 PHASE

Type		Single - Speed Type		Dual-Speed Type		Variable Speed	
Model	115v	SDH-01	SDH-025	SBDH-01	SBDH-025	SVDH-01	SVDH-025
	230v	HDH-01	HDH-025	HBDH-01	HBDH-025	HVDH-01	HVDH-025
Rated Load (kg)		100	250	100	250	100	250
Rated Load (lbs)		220	550	220	550	220	550
Lift (ft)		8	8	8	8	8	8
Motor Output (W)		300	600	300	600	300	600
Motor Output (HP)		0.4	0.8	0.4	0.8	0.4	0.8
Short Time Rating (min)		25	25	25	25	25	25
Lifting Speed	Frequency (Hz)	60	60	60	60	60	60
	ft / min	43	33	13 / 43	13 / 33	3 ~ 43	3 ~ 33
Headroom (in)		26.5	26.5	26.5	26.5	26.5	26.5
Weight (lbs)		44	49	44	49	44	49

- Notes:**
1. A power source cable (2mm²X4 Core wires) 5M is included for 3phase.
 2. Power supply voltage for operating the push-button switch is 24V 3 phase or 100V (or 200V) single phase.
 3. 500kg type is also available to supply the equipment for the 490kg.