

# JIB CRANES ENCLOSED-TRACK WORKSTATION

500, 501 SERIES

## ERGONOMIC JIB CRANES FOR QUICK PRODUCTION



### 500 Series

*Freestanding  
Enclosed-Track  
Workstation Jib Crane*



### 501 Series

*Wall-Mounted  
Enclosed-Track  
Workstation Jib Crane*

**Spanco Workstation Jib Cranes** offer easy, fast, ergonomic lifting and transfer of repetitive loads. Featuring lightweight booms, these agile cranes are easy to start and stop, faster to rotate than I-beam cranes, and offer excellent return on investment.

At the heart of our Workstation Jib Cranes are our smooth-running enclosed track and trolleys. The self-cleaning track prevents dust, debris, or ice from accumulating, while its V-shaped profile ensures accurate trolley wheel alignment to minimize friction and wear.

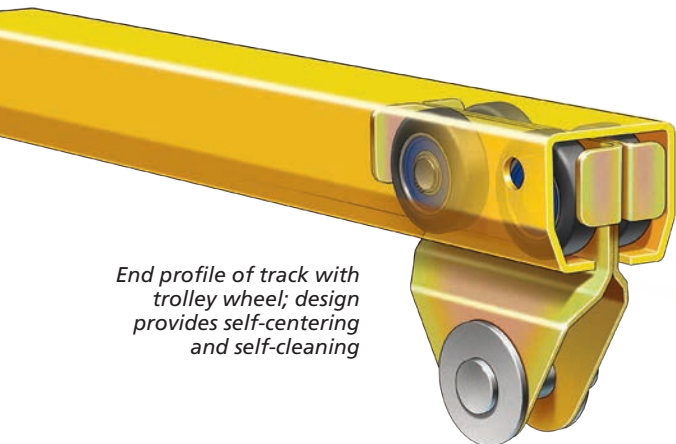
Our hoist trolleys have large diameter, polyamide wheels with anti-friction ball bearings.

### ENCLOSED TRACK OPTIONS:

- Steel Track: rolled from ASTM A572, A607, or A715 grade steel; available with enamel, powder, epoxy, or galvanized coatings
- Mylar™ Lip Seal: for additional track protection from very heavy dust or paint overspray applications.

### The Spanco V-shaped profile

prevents dust, debris, and ice from accumulating on the track. The self-cleaning V-shape also maintains wheel alignment for end trucks and trolleys, so they always glide effortlessly, day after day. Plus, the enclosed track continuously protects wheels from harm.



*End profile of track with  
trolley wheel; design  
provides self-centering  
and self-cleaning*

## ENCLOSED-TRACK WORKSTATION JIB CRANES

Workstation Jib Cranes	Boom Rotation	Capacities	Spans	Height Under Boom	Powered Rotation
<b>500 Series Freestanding</b>	360°	Up to 1000 lbs	Up to 16'	Up to 12'	N/A
<b>500 Series with Portable Base</b>	360°	Up to 1000 lbs	Up to 16'	Up to 12'	N/A
<b>501 Series Wall-Mounted</b>	200°	Up to 1000 lbs	Up to 16'	Determined by Application	N/A

### WORKSTATION JIB CRANE OPTIONS

- Electric collector rings or air swivels for continuous rotation.
- Rotation stops for limiting boom rotation (to protect nearby structures, etc.).
- Vacuum hose trolley fit a hose up to two inches in diameter.
- Trolleys for any hooks mounted device.
- Trolley options: steel wheels, zinc chromate-plated finish, or bronze wheels with bronze guide rollers for "spark proof" applications.
- Festoon Flat Cable: 4-conductor
- Festoons, Air Hose: 3/8-inch in diameter.
- Anchor bolts and bolt pattern templates for easy installation.



*A worker stacks boxes of packaged food onto a pallet using a 150-pound capacity Spanco Freestanding Workstation Jib Crane with a vacuum attachment.*



Watch a video of this crane in action at [Spanco.com](http://Spanco.com)

# JIB CRANES ENCLOSED-TRACK WORKSTATION

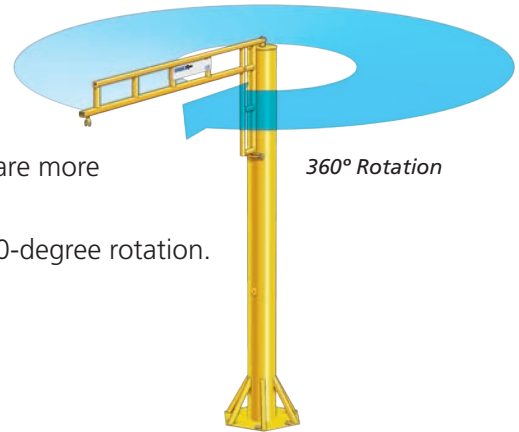
500, 501 SERIES

**500 Series**  
Freestanding  
Enclosed-Track  
Workstation Jib Crane



## Freestanding, Floor-Mounted Workstation Jib Cranes

- Mounting plates attach with anchor bolts to standard 6" reinforced concrete floor or to new foundations for special load conditions.
- Smaller capacity cranes use square mounting plates with welded gussets connected to the mast; each plate uses four anchor bolts.
- Larger capacity cranes use hexagonal mounting plates with welded knee braces connected to the mast; each plate uses six anchor bolts.
- Welded knee braces are stronger than plates, resist buckling, and are more cost effective.
- Provide full 360-degree rotation.



Freestanding Workstation Jib Crane with  
Portable Base.

## Portable Freestanding Workstation Jib Cranes

These workstation jib cranes have all of the features of our floor mounted models, except with counterweight bases. With their forklift pockets, they're ideal for facilities needing flexible workflows and/or modular workstations.

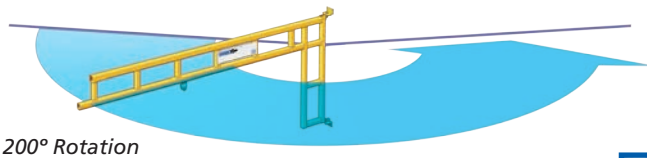
- From 100 lbs. capacity with 16' span; up to 1000 lbs. capacity with 12' span

**Spanco Wall-Mounted Workstation Jib Cranes** are agile and ergonomic lift solutions for the transfer or repetitive loads. The crane bolts to your existing wall or column to cover individual workstations or supplement larger overhead cranes. Wall-mounted workstations fold out of the way to make room for larger equipment and preserve precious factory floor space.

- Bolts to existing wall or column.
- Bronze bearings at the pivot points ensure easy rotation.
- Provides easy 200-degree rotation.



**501 Series**  
*Wall-Mounted  
Workstation Jib Crane*



*200° Rotation*



*Parts are carefully lifted  
and positioned into this  
machine tool using a Spanco  
500 Series Freestanding  
Workstation Jib Crane.*