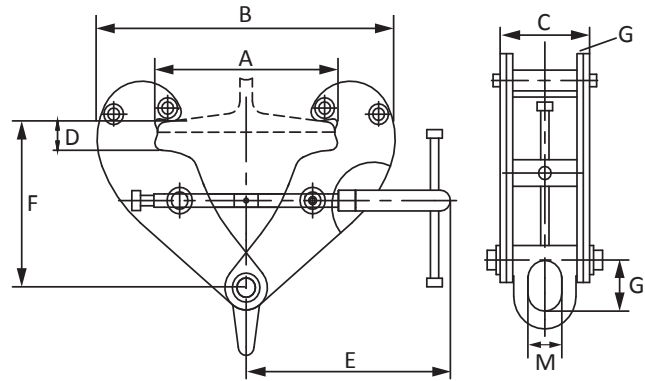




EYE BEAM CLAMP



The eye beam clamp can be used as an anchor for various applications and for any type of construction. The zinc plated clamp screw assembly allows for easy adjustment of the clamp. This clamp features metric capacities that range from 1, 2, 3, 5, and 10 tons.

SPECIFICATIONS & DIMENSIONS - EYE BEAM CLAMP						
Model		EBC-1	EBC-2	EBC-3	EBC-5	EBC-10
S.W.L.	(lbs)	2200	4400	6600	11000	22000
S.W.L.	US ton	1.1	2.2	3.3	5.5	11
Weight	(lbs)	11	12	24	28	45
Dimensions (in)	A	3.1-9.6	3.1-9.6	3.5-12.2	3.5-12.2	3.5-11.8
	B	7.2-14.7	7.2-14.7	9.4-20.4	9.4-20.4	9.8-20.4
	C	2.6	2.9	4.1	4.4	4.7
	D	0.7	0.7	1.1	1.1	1.1
	E	8.3	8.3	10.2	10.2	11
	F	4-6.4	4-6.4	5.3-8.8	5.3-8.8	6.2-9
	G	0.98	0.98	1.77	1.77	1.97
	M	1.10	1.1	1.7	1.7	2.3

