

Super-Duty Kontrol-Karriers

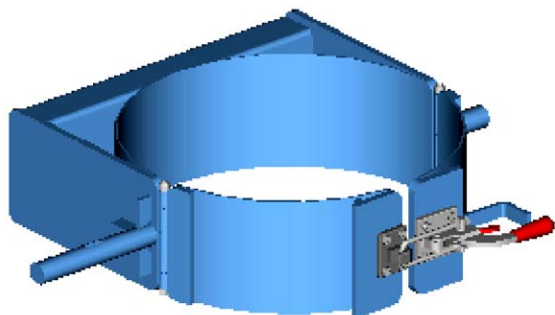
- 2500 Lb. (1134 kg) Capacity
- Hand operated geared tilt
- 360° drum tilt control in both directions
- Quick, sure below hook drum handling by one person
- Save time, reduce waste, improve productivity
- Efficient, controlled high level pouring

MADE
IN
USA

Morse manual drum tilt Kontrol-Karrier

Model 185XGR has a pull chain and chain wheel for manual drum tilt control with a 20' (6 m) loop of chain to reach 10' (3 m) back to the forklift operator. There is enough resistance in the enclosed gear box to automatically stop and hold the drum tilt angle. Hand wheel tilt control option is also available.

Extra-heavy-duty construction with steel tube framework, large shafts and bearings offer long life in tough service. The oil filled, worm gear speed reducer provides 150:1 gear reduction for fine control when tipping heavy drums.



The 3-Piece Drum Holder with 2 hinged metal bands and a clamp in the front is sized for your standard ribbed 55-gallon (208 liter) 22.5" (57.2 cm) diameter steel drum.

Model 185XMGR adds [spark resistant parts](#) to reduce the possibility of mechanical sparks.

Ships fully assembled.

Full Drum Capacity 2500 Lb. (1134 kg) Half-full drum capacity is 1250 Lb. (567 kg) Half-full rating is an indication of capacity for tilting an unbalanced, bottom-heavy drum. A partially full drum with unbalanced and shifting load is harder to tilt than full drum.



Steps for use of Super-Duty Kontrol-Karrier

1. Attach to your hoist hook using off-center lifting point so empty Kontrol-Karrier will hang plumb. Lift and move the Kontrol-Karrier to your upright drum.
2. Mate the Kontrol-Karrier's drum holder to the middle of your drum and secure your drum between drum ribs... no tools are needed.
3. Place the hoist hook in the lifting point above the drum center to lift Kontrol-Karrier with your secured drum.
4. Pull down one side of the chain loop while letting out the other to turn your drum. Chain loop provides control of drum tilt 360° in either direction, even while drum is hoisted above your reach.

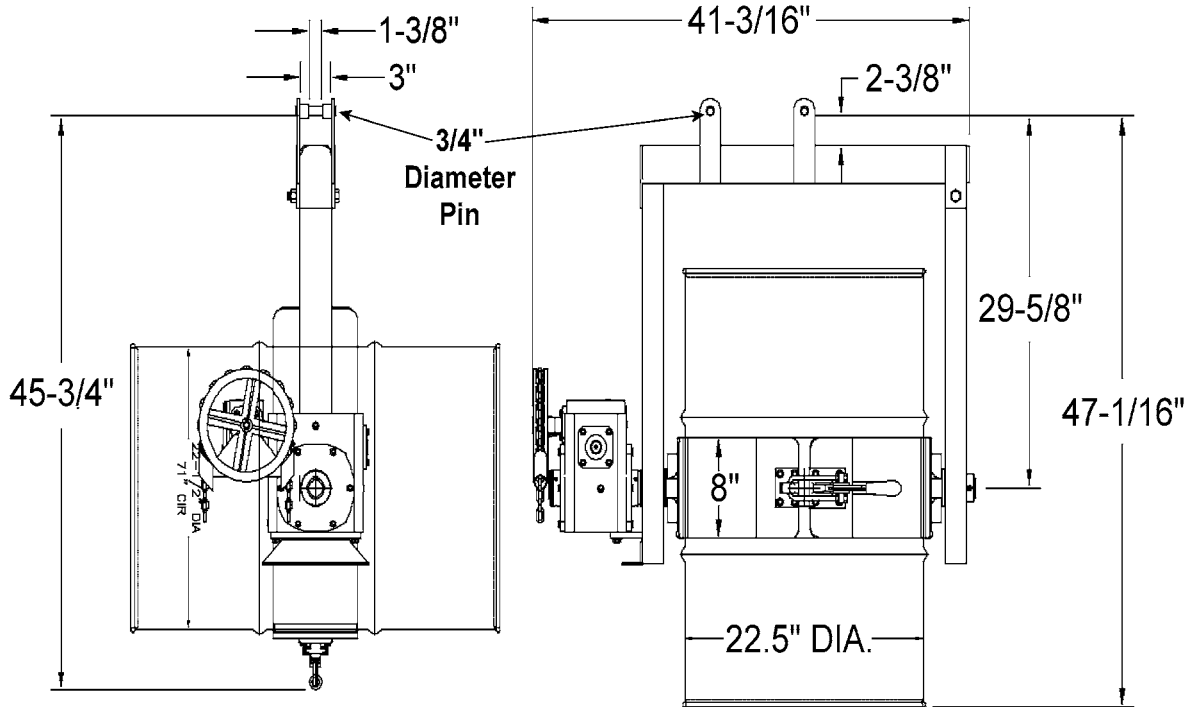
Options and Accessories

- **Option X03-185XGR** - 8" Hand Wheel with speed handle. Replaces the standard chain wheel with hand wheel to turn the drum.
- **Model 55/30-19GR** - Diameter Adaptor. Simply insert this Diameter Adaptor into the drum holder to use model 185XGR for your 19" (48.3 cm) diameter 30-gallon (114 liter) steel drum. Quickly and easily install this Diameter Adaptor in the drum holder. Then simply lift it back out to go back to handling a 55-gallon (208 liter) steel drum.
- **Option 451-P** - Counterweight keeps your Kontrol-Karrier hanging plumb, even without a drum in the holder.



Model #	Description	19" Diameter Adaptor	Unit Weight	Domestic Ship Weight	Domestic Ship Dimensions	Ships Class
185XGR	Kontrol-Karrier with 3-piece drum holder, 2500 Lb. Capacity	Model 55/30-19GR	273 Lb. (124 kg)	300 Lb. (136 kg)	L 45" W 24" H 40" (114 x 61 x 102 cm)	77.5
185XMGR	Kontrol-Karrier with spark resistant parts, 3-piece drum holder, 2500 Lb. (1134 kg) Capacity	None	273 Lb. (124 kg)	300 Lb. (136 kg)	L 45" W 24" H 40" (114 x 61 x 102 cm)	77.5

Dimensions



NOTE: Standard loop of pull chain extends approximately 6 feet (1.8 m) below the chain wheel. Custom lengths are available.

MADE
 IN
 USA